

Patents, Designs, and Trade Marks

SUPPLEMENT

TO THE

NEW ZEALAND GAZETTE

OF

THURSDAY, DECEMBER 10, 1908.

Published by Authority.

WELLINGTON, THURSDAY, DECEMBER 10, 1908.

CONTENTS.

	Page
Complete Specifications and Drawings open to Inspection	3131
International and Intercolonial Arrangements for the Mutual Protection of Patents and Trade Marks ..	3132
Patent Publications in New Zealand	3132
Books and Documents open to Inspection at Patent Office, Wellington	3132
Official Publications	3133
Local Patent Offices	3133
Name Index of Patents, 1861-1889	3133
Classified Abridgments of New Zealand Inventions at Auckland, Christchurch, and Dunedin	3133
Notices <i>re</i> Holidays	3133
Foreign Patent Laws	3133
Applications for Letters Patent filed	3133
Complete Specifications filed after Provisionals ..	3134
Complete Specifications accepted	3134
Provisional Specifications accepted	3139
Letters Patent sealed	3139
Letters Patent on which Fees have been paid ..	3139
Subsequent Proprietors of Letters Patent registered ..	3140
Applications for Letters Patent abandoned ..	3140
Applications for Letters Patent void	3140
Applications for Letters Patent lapsed	3140
Request for Correction of Clerical Error in Application for Letters Patent	3140
Letters Patent void	3140
Designs registered	3141
Applications for Registration of Trade Marks ..	3141
Trade Marks registered	3145
Subsequent Proprietor of Trade Mark registered ..	3145
Application for Trade Mark refused	3145
Trade Marks removed from the Register	3145

Complete Specifications and Drawings open to Inspection at Auckland, Dunedin, and Christchurch.

COPIES of the complete specifications and drawings advertised in the *Gazette* will be sent for public inspection to the

LOCAL PATENT OFFICES

IN THE

SUPREME COURT BUILDINGS

in the following towns on or about the dates mentioned:—

Auckland.

Gazette No. 100, of the 10th December. 16th December to 30th December, inclusive.

Dunedin.

Gazette No. 100, of the 10th December. 8th January to 23rd January, inclusive.

Gazette No. 94, of the 26th November. 23rd December to 6th January, inclusive.

Gazette No. 91, of the 12th November. 9th December to 23rd December, inclusive.

Christchurch.

Gazette No. 100, of the 10th December. 28th January to 11th February, inclusive.

Gazette No. 94, of the 26th November. 11th January to 25th January, inclusive.

Gazette No. 91, of the 12th November. 30th December to 13th January, inclusive.

Gazette No. 85, of the 29th October. 14th December to 28th December, inclusive.

[NOTE.—The office can take no responsibility if from any cause the specifications are not so available.]

International and Intercolonial Arrangements for the Mutual Protection of Patents and Trade Marks.

INTERNATIONAL CONVENTION.

THE following countries now belong to the Convention:—

Australia.	Italy.
Belgium.	Japan.
Brazil.	Mexico.
Ceylon.	New Zealand.
Cuba.	Norway.
Denmark and Faroe Islands.	Portugal, with the Azores and Madeira.
Dominican Republic.	Servia.
France, with Algeria and Colonies.	Spain.
Germany.	Sweden.
Great Britain.	Switzerland.
Holland, with East Indian Colonies, Curaçoa, and Surinam.*	Tunis.
	United States of America.

* Trade marks only.

Separate arrangements have been made between Australia and New Zealand.

Particulars of the Convention and of such arrangements may be seen in the following *Gazettes*:—

Notification of adhesion of New Zealand to the Convention, with text thereof (in English), in the *Gazette* of 26th November, 1891; notification of adherence of New Zealand to the Additional Act of the Convention, with text (in English), of such Additional Act, in Patents Supplement to *Gazette* No. 101, of the 16th November, 1905; Order in Council applying section 103 of the Imperial Act to New Zealand, in *Gazette* No. 27, of the 15th May, 1890; Orders in Council containing arrangements between Australia and New Zealand, in Patent Supplements to the *Gazette* Nos. 22 of the 9th March, 1905, and 38 of the 20th April, 1905.

Patent Publications in New Zealand.

THE following publications relating to Patents for inventions, &c., are open to inspection in the Dominion:—

WELLINGTON.—PATENT OFFICE LIBRARY.

United Kingdom.

The full text of the specifications and complete drawings of inventions patented from the year 1617 up to the 3rd September, 1908.

Classified illustrated abridgments of inventions from 1855 to 1905 and part of 1906.

Illustrated Official Journal, containing lists of recent applications, abridgments of inventions for which patents have been lately granted, patents void, &c., to October, 1908.

Index of Applicants.

Subject-matter Index.

Commissioner of Patents Journal, &c.(*)

Trade Marks Journal to May, 1908.

Canada.

Patent Office Record (containing illustrated abridgments of inventions, &c.) to March, 1908.

Australia.

The full text of the specifications and complete drawings in respect of applications accepted from the 11th January, 1906, to the 24th March, 1908, inclusive.

The Official Journal of Patents of the Australian Commonwealth (containing lists of applications for letters patent, abridgments of complete specifications accepted, &c.).

The Australian Official Journal of Trade Marks (containing lists of applications for registration of trade marks, &c.).

Specifications, drawings, abridgments, and indexes of Victoria, New South Wales, Queensland, and South Australia(b).

United States.

The full text of the specifications and drawings for the year 1905.

The Official Gazette of the United States Patent Office (containing illustrated abridgments of specifications, &c.) to October, 1908.

Mexico.

The Official Gazette of the Patent and Trade Mark Office.

(a) Discontinued.

(b) In arrears. Not now being printed.

General.

La Propriété Industrielle (the official organ of the International Bureau of the Union for the Protection of Industrial Property).

Patent laws of the world.

Patent and Trade Mark Review.

Text-books and handbooks on patents and trade marks.

AUCKLAND.—PUBLIC LIBRARY.

United Kingdom.

Classified abridgments of inventions from 1855 to 1904.
Illustrated Official Journal from 1897 to date.

Canada.

Patent Office Record (containing illustrated abridgments of inventions, &c.) from 1897 to date.

Australia.

The Official Journal of Patents from 1905 to date.

United States.

The Official Gazette of the United States Patent Office (containing illustrated abridgments of specifications, &c.) from 1885 to 1887 and 1890 to 1895.

CHRISTCHURCH.—PUBLIC LIBRARY.

United Kingdom.

Classified abridgments of inventions from 1855 to 1904.
Illustrated Official Journal from October, 1905, to date.

Canada.

Patent Office Record (containing illustrated abridgments of inventions, &c.) from 1897 to date.

Australia.

The Official Journal of Patents from 1905 to date.

DUNEDIN.—TOWN HALL.

United Kingdom.

Classified abridgments of inventions from 1855 to 1904.
Illustrated Official Journal from October, 1905, to date.

Australia.

The Official Journal of Patents from 1905 to date.

Books and Documents open to Inspection at Patent Office, Wellington.

THE following documents and books are open to public inspection at the Patent Office:—

PATENTS.

(Fee for each search or inspection, not exceeding one hour, 1s.)

1. The files relating to all applications for letters patent in respect of which complete specifications have been accepted.
2. Classified copies of specifications and drawings, with index and key(a).
3. Register of Applications for Letters Patent.
4. Register of Patents.
5. Register of Subsequent Proprietors of Letters Patent(b).
6. Index of Patentees(c).
7. Index of Proprietors of Letters Patent granted prior to 1890(d).
8. Index of Specifications(e).

DESIGNS.

(Search fee, 1s. each quarter of an hour.)

1. Register of Designs, with Index of Names of Proprietors.
2. Classified Representations of Designs in respect of which Copyright has expired.
3. Index of Designs.

(a) Key is in card index.

(b) This Register contains only names of subsequent proprietors of letters patent granted prior to 1st January, 1890; since that date they appear in Register of Patents.

(c) Includes all names of applicants, &c., and consists of four volumes to 4th November, 1903, and card index since that date. A separate card index is kept for current quarter.

(d) The names of proprietors of subsequent letters patent appear in the Index of Patentees.

(e) Contains classified abridgments of specifications from 1861, with extracts from drawings from July, 1904.

TRADE MARKS.

(Search fee, 1s. each quarter of an hour.)

1. The files relating to all applications for registration of trade marks.
2. Register of Applications for Registration of Trade Marks.
3. Register of Trade Marks.
4. Index of Applicants for Registration of Trade Marks^(a).
5. Index of Trade Marks.
6. Classified Representations of Trade Marks, with indexes.

MISCELLANEOUS.

Register of Patent Agents.

FORMS AND PUBLICATIONS.

The following forms, &c., may be had on application at the Patent Office, Wellington, or at any of the local Patent Offices named below:—

- Application for letters patent.
- Provisional specification.
- Complete specification and copy thereof.
- Application for registration of design.
- Application for registration of trade mark.
- Applications for extension of time.
- Requests by subsequent proprietor to enter name on Register of Patents and Trade Marks.
- Printed sheets of information as to fees and procedure to obtain letters patent and to register a trade mark^(b).
- Pamphlet containing Act and Regulations (price 1s.).

^(a) Names of applicants for registration and proprietors of trade marks are indexed at the beginning of the Registers up to 31st December, 1889; in separate volume up to 5th September, 1904; and since the latter date in card index.

^(b) May also be obtained at any local Patent Office or money-order office.

Official Publications.

THE following publications may be obtained from the Government Printer, Wellington:—

- Printed specifications to the end of the year 1879.
- Annual lists of letters patent and letters of registration applied for, and particulars of applications lapsed, and patents lapsed, from 1880 to 1893 inclusive. (The lists for the last four of these years are contained in the *Annual Reports of the Registrar*.)
- Annual reports of the Registrar, containing alphabetical indexes of applicants for letters patent and of subject-matter of inventions patented from 1894 to 1906 inclusive.
- The Patents Supplement to *Gazette* (containing notifications, applications for letters patent, abridged descriptions and drawings of inventions, &c.), published fortnightly.

Local Patent Offices.

LOCAL Patent Offices for the reception of applications, supply of forms, &c., have been established at the following places:—

- Auckland—Supreme Court. (E. W. Cave, agent.)
- Whangarei—Courthouse. (W. J. Reeve, agent.)
- Thames—Courthouse. (J. Jordan, agent.)
- Waihi—Courthouse. (J. McIndoe, agent.)
- Hamilton—Courthouse. (H. J. Dixon, agent.)
- Gisborne—Courthouse. (G. J. A. Johnstone, agent.)
- New Plymouth—Courthouse. (J. Terry, agent.)
- Napier—Courthouse. (A. Trimble, agent.)
- Wanganui—Courthouse. (C. A. Barton, agent.)
- Taihape—Courthouse. (W. Baker, agent.)
- Palmerston North—Courthouse. (C. J. Hewlett, agent.)
- Masterton—Courthouse. (M. Foley, agent.)
- Nelson—Courthouse. (E. C. Kelling, agent.)
- Blenheim—Courthouse. (F. W. Hart, agent.)
- Westport—Courthouse. (O. E. Bowling, agent.)
- Greymouth—Courthouse. (B. Harper, agent.)
- Hokitika—Courthouse. (J. N. Nalder, agent.)
- Christchurch—Supreme Court. (W. W. Samson, agent.)
- Ashburton—Courthouse. (J. Fitzgerald, agent.)
- Timaru—Courthouse. (T. W. Tayler, agent.)
- Oamaru—Courthouse. (A. A. Mair, agent.)
- Dunedin—Supreme Court. (T. E. Roberts, agent.)
- Clyde—Courthouse. (F. T. D. Jeffery, agent.)
- Gore—Courthouse. (G. H. Lang, agent.)
- Queenstown—Courthouse. (A. J. Thompson, agent.)
- Invercargill—Courthouse. (J. R. Colyer, agent.)

Name Index.—Patents.

Vol. I, 1861 to 1889.

MAY be obtained from the GOVERNMENT PRINTER.

PRICE, 2s. 6d.

Classified Abridgments of New Zealand Inventions open to inspection at Auckland, Christchurch, and Dunedin.

CLASSIFIED abridgments of complete specifications gazetted from the 1st January to the 30th September, 1908, are open to public inspection at the local Patent Offices at Auckland, Christchurch, and Dunedin.

Christmas and New Year Holidays.

Office of the Minister of Internal Affairs,
Wellington, 28th November, 1908.

IT is hereby notified for general information that Friday, the 25th December, Saturday, the 26th December, and Monday, the 28th December, 1908, and Friday, the 1st January, and Saturday, the 2nd January, 1909, will be observed as holidays in the public offices of the Government of New Zealand.

By order.

HUGH POLLEN,
Under-Secretary.

Christmas and New Year Holidays.—Local Patent Offices.

LOCAL Patent Offices throughout the Dominion will be closed from the 24th December, 1908, to the 2nd January, 1909, both days inclusive.

Foreign Patent Laws.

THE following Patents, Designs, and Trade Marks Acts have been received, and may be inspected at this office:—

CEYLON.
GOLD COAST.
INDIA.
NEWFOUNDLAND.

Applications for Letters Patent filed.

LIST of applications for Letters Patent filed. (Where a complete specification accompanies an application an asterisk is affixed; in all other cases a provisional specification has been lodged. In all cases where the applicant is not the inventor the name of the latter appears in italics after the title.)

- No. 25253.—23rd November.—J. S. Ferguson and J. Davidson, Ottawa, Canada.
Container box, &c.*
- No. 25254.—23rd November.—R. Walker, Wellington, N.Z.
Fusible plug.
- No. 25255.—23rd November.—R. W. Gallagher, Los Angeles, U.S.A.
Statement delivery apparatus for gas-meters.*
- No. 25256.—24th November.—G. T. and H. H. Stewart, Featherston, N.Z.
Searing and docking knife.
- No. 25257.—19th November.—J. J. Daily, Christchurch, N.Z.
Pneumatic saddle-cover.
- No. 25258.—24th November.—G. T. and H. H. Stewart, Featherston, N.Z.
Variable gear.
- No. 25259.—24th November.—G. E. Taylor, Englefield Green, Eng.
Sterilising, &c., tablets.* (Date applied for under section 106, 13th December, 1907.)
- No. 25260.—24th November.—M. Clayton, Buckland, N.Z., and F. Hitchcock, Auckland, N.Z.
Cooler and aerator.

- No. 25261.—25th November.—A. E. Jones and J. Whitelaw, Wellington, N.Z.
Nipple coupling for electric-wire pipes, &c.
- No. 25262.—25th November.—F. H. Jackson, New Plymouth, N.Z.
Scythe handle-grip.
- No. 25263.—25th November.—W. Hobbs, Wellington, N.Z.
Dust-collector for tramways.
- No. 25264.—25th November.—G. Musgrove, Sydney, N.S.W.
Amusement apparatus.* (*W. Taylor.*)
- No. 25265.—24th November.—C. J. H., and J. Laut, Wellington, N.S.W., and T. Mitchell, Sydney, N.S.W.
Spring bracket folding-candlestick.
- No. 25266.—24th November.—P. and D. Duncan, Limited, Christchurch, N.Z.
Seed-discharge for agricultural drills. (*J. Keir.*)
- No. 25267.—24th November.—R. Gray, Adelaide, S.A.
Billiard-cushion.*
- No. 25268.—21st November.—E. H. Kirkby, Sydney, N.S.W.
Fire-alarm.*
- No. 25269.—21st November.—O. Suttie, Waharoa, N.Z., and M. H. Wynyard, Auckland, N.Z.
Flax catcher.*
- No. 25270.—23rd November.—W. M. Homan, Bethlehem, Orange River Colony.
Sun-dial.*
- No. 25271.—26th November.—H. A. H. Salomo, Melbourne, Vic.
Differential gear.*
- No. 25272.—27th November.—C. F. Olson, Wellington, N.Z.
Roller-blind bracket.
- No. 25273.—25th November.—K. I. Linstrom, Nykvarn, Sweden.
Milking-machine.* (Date applied for under section 106, 11th December, 1907.)
- No. 25274.—25th November.—P. Boyd, Dunedin, N.Z.
Seed-sower.*
- No. 25275.—25th November.—R. N. Adams, Dunedin, N.Z.
Door-holder.
- No. 25276.—27th November.—D. M. Brooks, Wellington, N.Z.
Tide-operated air-compressor.
- No. 25277.—27th November.—H. E. Thew, Timaru, N.Z.
Window-sash balance.
- No. 25278.—27th November.—R. A. Fonseca, Timaru, N.Z.
Cycle mud-guard.
- No. 25279.—1st December.—W. J. F. Hayter, Taumarunui, N.Z.
Process for making bricks, pottery, &c.
- No. 25280.—1st December.—D. A. Chinnery-Brown, Auckland, N.Z.
Mechanical toy.
- No. 25281.—27th November.—H. D. Schmidt, Auckland, N.Z.
Artificial eye.
- No. 25282.—1st December.—A. Thornton and A. H. Wright, Wellington, N.Z.
Means for supporting a camera.
- No. 25283.—2nd December.—L. Zechall, London, Eng.
Inverted incandescent gas-lamp.* (Date applied for under section 106, 12th May, 1908.)
- No. 25284.—2nd December.—De Dion Bouton (1907) Limited, London, Eng.
Fan for motor vehicle.* (*A. de Dion and G. Bouton.*)
- No. 25285.—2nd December.—M. F. Mievill, Chichester, Eng.
Production of carburetted air.*
- No. 25286.—2nd December.—W. J. Green, London, Eng.
Branding machine.*
- No. 25287.—28th November.—W. Beamish, Hastings, N.Z.
Animal-trap.
- No. 25288.—28th November.—W. Beamish, Hastings, N.Z.
Flushing cistern.
- No. 25289.—28th November.—H. E. D. Merry, Cuddingwarra, W. Aust.
Feed-screw of rock-drill.*
- No. 25290.—2nd December.—G. B. Bowles, London, Eng.
Brake apparatus.* (Date applied for under section 106 of Act, 13th December, 1907.)
- No. 25291.—3rd December.—J. F. C. Hodges, Orange, N.S.W., and G. W. Griffith, Manildra, N.S.W.
Ploughshare.*
- No. 25292.—2nd December.—W. Levinson, St. Kilda, Vic.
Cigarette-holder.
- No. 25293.—3rd December.—A. H. Wright, Wellington, N.Z.
Advertising and display sheet.
- No. 25294.—3rd December.—M. Blair, sen., and W. J. Blair, Wellington, N.Z.
Alarm for fire-damp, &c.
- No. 25295.—30th November.—F. E. Ross, Cambridge, N.Z.
Sanitary apparatus for use in milking-sheds.
- No. 25296.—3rd December.—The Metals Extraction Corporation, Limited, London, Eng.
Zinc-separation.* (*W. Hommel and H. L. Sulman.*) Date applied for under section 106, 3rd December, 1907.)
- No. 25297.—3rd December.—F. W. Page, Morrinsville, N.Z.
Wire-strainer.
- No. 25298.—2nd December.—T. F. Long, Makaraka, N.Z.
Thistle-exterminator.
- No. 25299.—2nd December.—J. Marshall-Thomas, Dunedin, N.Z.
Cycle-stand.
- No. 25300.—4th December.—J. Wilson, Auckland, N.Z.
Cement road.
- No. 25301.—4th December.—A. S. Tange, Wellington, N.Z.
Non-refillable bottle.
- No. 25302.—5th December.—W. Talbut, Wellington, N.Z.
Race-starting machine.
- No. 25303.—3rd December.—T. Drummond, Dunedin, N.Z.
Wire-fastener.
- No. 25304.—3rd December.—E. T. Wood, Dunedin, N.Z.
Dust, &c., excluder for doors.

Complete Specifications filed after Provisionals.

LIST of complete specifications filed after provisional specifications, from the 23rd November to the 7th December, 1908, inclusive:—

- No. 23940.—C. Murnane, windmill.
No. 23973.—J. A. Millar, rowlock.
No. 24047.—C. Giorgi, ventilator.
No. 24067.—W. E. Kinnerney, fire-extinguisher.
No. 24073.—H. Quertier, seat, berth, room, and table indicator.
No. 24116.—J. H. Hutchinson, transporting merchandise, &c.
No. 24180.—F. R. Kron, tanning, &c.
No. 24197.—J. Stephens, mouse and rat trap.
No. 24232.—J. R. Kent, shoe.
No. 24249.—L. T. Reichel and E. F. Reichel, temperature-recorder.
No. 24894.—J. H. Tink, wire-strainer.

Notice of Acceptance of Complete Specifications.

Patent Office,
Wellington, 9th December, 1908.

COMPLETE specifications relating to the undermentioned applications for Letters Patent have been accepted, and are open to public inspection at this office. Any person may, at any time within two months from the date of this *Gazette*, give me notice in writing of opposition to the grant of any such patent. Such notice must set forth the particular grounds of objection, and be in duplicate. A fee of 10s. is payable thereon.

No. 23632.—23rd October, 1907.—ALEXANDER PARKER, of Dannevirke, New Zealand, Inventor. An improved machine for vending postage-stamps and the like.*

Extract from Specification.—The machine devised is constructed with a sliding carriage operated by a spring having a tendency to draw the carriage in one direction, on the same principle as prevails in a typewriting-machine. On the carriage is mounted a roller of such a length as to be capable of receiving the full width of the stamp-sheet, and of having such sheet rolled thereon. Mounted also on the carriage is a pair of feeding-rollers arranged on parallel axes with the stamp roller, and between which the sheet is fed. The carriage travels along the edge of a narrow table on to the surface of which the feeding-rollers will lead the free end of the stamp-sheet. Means are provided whereby each revolution of a spindle will cause the carriage to travel against the influence of its spring a distance equal to the length of a stamp, and whereby at the beginning of its travel the whole sheet may be fed through the feeding-rollers a distance equal to the width of the stamp, so that a length of the stamps will lie across the table. Means are also provided for cutting along the line of perforations joining the strip of stamps overlying the table with the main sheet a distance equal to the length of the stamp as such strip is fed along by each

revolution of the actuating spindle, and for causing the severed portion to project through the opening in the containing-casing in order that it may be torn from the remainder of the strip.

[NOTE.—The above extract from the specification is inserted in place of the claims.]

(Specification, 8s. ; drawing, 2s.)

No. 23781.—4th December, 1907.—WILLIAM JOHN LOCKHART MORTON, of Jeffcott Street, North Adelaide, South Australia, Gentleman. A machine for winding or unwinding wool, silk, cotton, or other materials or substances.

Claim.—(1.) A foundation or stand for a machine for winding or unwinding wool, silk, cotton, or other materials or substances, said foundation or stand being constructed of wire, and also characterized by a clip formation which enables such foundation or stand to be clipped and retained upon the back of a chair, or in other similar position.

[NOTE.—Here follow four other claims.]

(Specification, 3s. ; drawing, 2s.)

No. 23800.—9th December, 1907.—HENRY MARK LEVINGE, of Okato, New Zealand, Medical Practitioner. An improved altazimuth instrument.*

Claims.—(1.) An altazimuth instrument formed by a circular base-piece divided into degrees of a circle, a standard adapted to extend vertically upon such base-piece formed with a slit extending longitudinally along the centre line of the standard, and a dial divided into degrees of a circle mounted upon the standard and adapted to rotate in a vertical plane, substantially as specified. (2.) The improved altazimuth instrument constructed and operated substantially as described and explained.

(Specification, 2s. 6d. ; drawing, 1s.)

No. 23829.—16th December, 1907.—PERCY BROWNE, of Waikino, Auckland, New Zealand, Draughtsman. A centrifugal thickening and separating machine.*

Claims.—The use of outlets which may be controlled or regulated while the machine is in motion. The division of the machine into separate chambers, each chamber having separate outlets, screens or filter-cloth, and baffle-plate. The use of a filter-cloth or screen so placed that the pull of centrifugal force is against the lighter material or liquid which is forced through it. The use of machines substantially as described, having a combination of the foregoing claims. The use of a baffle-plate or diaphragm so placed that all the material treated has to pass near the periphery of the machine before escaping.

(Specification, 1s. 6d. ; drawing, 1s.)

No. 23872.—30th December, 1907.—ALBERT FREDERICK HADECKE, of Rangiora, New Zealand, Engineer. Combined suction dressing and cavings-extraction apparatus in combine threshing-machines.*

Claims.—(1.) For the purpose indicated, a shoot at the foot of the first riddle communicating with the exhaust of a fan for drawing away cavings, as set forth. (2.) For the purpose indicated, a fan performing the triple function of separating the chaff and foreign matter lighter than grain, drawing away the cavings, and discharging the chaff and cavings together, as set forth. (3.) The combination and arrangement of parts comprising the combined suction dressing and cavings-extraction apparatus in combine threshing-machines, substantially as and for the purposes set forth, and illustrated in the drawing.

(Specification, 2s. 6d. ; drawing, 1s.)

No. 23903.—8th January, 1908.—WALTER MADDISON, of Victoria Parade, Gisborne, New Zealand, Mechanic. Sleeping-accommodation for railway-carriages.*

Claim.—For the purpose indicated, a combination of mattress and frame capable of concealment when not in use, substantially as shown and specified. For the above purpose, a concealable combination capable of erection as a means

of providing sleeping-accommodation, substantially as shown and specified. For the purpose indicated, a combination capable of providing sleeping-accommodation which, when not in use, may be concealed in the lower portion of the wall of the carriage, substantially as shown and specified.

(Specification, 1s. ; drawing, 1s.)

No. 23930.—23rd January, 1908.—THOMAS CORNELIUS SMART, of Watson's Green Works, Dudley, Worcester, England, Managing Director. Improvements in fenders, curbs, and the like for domestic hearths.

Extract from Specification.—The invention comprises one part carrying a concealed slotted plate, and one or more parts adapted for sliding on the aforesaid part, with means engaging the slotted plate, to secure the parts at various relative positions.

[NOTE.—The above extract from the specification is inserted in place of the claims.]

(Specification, 4s. ; drawing, 1s.)

No. 23969.—1st February, 1908.—WILLIAM JOSEPH ROEBUCK, Engineer, and EDGAR JULIUS THOMSON, Watchmaker, of Imperial Buildings, corner High and Dowling Streets, Dunedin, New Zealand. Improved clamp for scaffolding.*

Claims.—(1.) A clamp for scaffolding comprising, in combination, a main supporting-bracket, a cam grip, and links to embrace the material used in constructing the scaffolding. (2.) A clamp for scaffolding comprising, in combination, a main supporting-bracket, a cam grip, links connecting the said cam grip and supporting-bracket, substantially as and for the purpose set forth, as described and illustrated. (3.) The general arrangement, construction, and combination of parts constituting the apparatus for clamping material for scaffolding, as described and for the purpose set forth and as illustrated.

(Specification, 2s. 6d. ; drawing, 1s.)

No. 23975.—6th February, 1908.—UNITED SHOE MACHINERY COMPANY, of Paterson, in the State of New Jersey, United States of America, a corporation duly organized under the laws of the said State of New Jersey, carrying on business as Shoe-machinery Manufacturers, and having a place of business at 205 Lincoln Street, Boston, in the Commonwealth of Massachusetts, United States of America (assignees of Arthur Bates, of Leicester, England, Engineer). Improvements in or relating to machines for use in the manufacture of boots and shoes.*

Claim.—(1.) In a machine for lasting shoes, the combination with grippers for pulling the upper, of automatically operating mechanism for actuating the grippers constructed and arranged to bring them to rest in a predetermined position which can be varied.

[NOTE.—Here follow twenty-four other claims.]

(Specification, £1 ; drawing, 3s.)

No. 23976.—6th February, 1908.—UNITED SHOE MACHINERY COMPANY, of Paterson, in the State of New Jersey, United States of America, a corporation organized under the laws of the said State of New Jersey, and carrying on business as Shoe-machinery Manufacturers, and having a place of business at 205 Lincoln Street, Boston, in the Commonwealth of Massachusetts, United States of America (assignees of Arthur Ernest Jerram and Joseph Gouldbourn, both of Leicester, England, Engineers). Improvements in or relating to punching and eyeletting machines.*

Claims.—(1.) In a machine of the class described, the combination of a tool-carrying lever and mechanism comprising a toggle for actuating said lever in one direction, said toggle being constructed and arranged to permit movement of said lever in another direction at an angle to the first-named movement. (2.) In a machine of the class described, the combination of a tool-carrying lever, having movement about two axes at an angle to each other, and mechanism for actuating said lever comprising means located in the line of one of said axes for permitting movement of said lever about the other of said axes. (3.) In a punching, eyeletting, or analogous machine wherein the stock is fed by lateral movement of the punch about an axis approximately parallel

to the punch, the use for imparting punching-movement to the punch of a toggle or other articulated mechanism that has a joint disposed for the purpose described in or substantially in the axis about which the lateral movement of the punch takes place, with or without an adjustable pivot.

[NOTE.—Here follow twelve other claims.]

(Specification, £1 7s. ; drawing, 5s.)

No. 24076.—28th February, 1908.—JAMES HARGREAVES, of Eden Terrace, New North Road, Auckland, New Zealand, Ventilating Engineer. An improvement in the construction of ventilators.*

Claim.—An improvement in the construction of ventilators, particularly relating to ventilators used for the admission of air into public buildings and the like. In ventilators of the quadrant type, in combination, the front plate of the valve hinged to the framework independently of the sides or shrouds, so that it can be opened outwards to facilitate cleaning and inspection; the baffle-plate fitted into a groove so that it can be raised for the same purpose; the front plate normally fastened to the shrouds by turnbuttons, and when open is held by a chain attached to a stay connecting the sides; and a stout cloth pad, or any other material, inserted in the shrouds, and working against the sides or neck, allowing opening and closing to any distance required, and rendering it both noiseless and airtight. This invention is stated to be applicable to other forms of ventilators.

(Specification, 4s. ; drawing, 1s.)

No. 24129.—12th March, 1908.—ANDREW FREDERICK CROSSE, of Frankfort, Pilgrim's Rest, Transvaal, Metallurgist. Improvements in the extraction of gold and silver from slimes and in means therefor.*

Claim.—(1.) In the process of extracting gold and silver from ore-slimes, continuously treating the slimes in a suitable concentrator with solvent solution, allowing the solids to settle and the metal-bearing solution to overflow, extracting the metal contents of the overflowing liquid, mixing the thickened pulp with the directly returned solution by means of air under pressure to obtain a thorough aeration of the mixture, and returning the aerated mixtures to the concentrator, substantially as described.

[NOTE.—Here follow six other claims.]

(Specification, 10s. ; drawing, 2s.)

No. 24407.—19th May, 1908.—WILLIAM ASTON, of No. 44 Charles Street, Footscray, Victoria, Australia, Furnaceman. Improved apparatus for economizing fuel, preventing smoke, and arresting sparks from boiler-furnaces.*

Extract from Specification.—This invention consists of an apparatus which is readily applicable to all classes of steam-boiler furnaces, and has been devised with the object of economizing fuel and at the same time preventing smoke and arresting sparks. These results are attained by means of an arrangement whereby once the furnace is well alight and steam up, the main body of the products of combustion, &c., is diverted from the smoke-stack or funnel and returned, by the aid of controllable steam-jets, to the fire-box.

[NOTE.—The above extract from the specification is inserted in place of the claims.]

(Specification, 7s. ; drawing, 2s.)

No. 24606.—1st July, 1908.—FRANK MCKAY ALLAN, of Dunedin, New Zealand, Analytical Chemist. Improvements in the manufacture of clinker for making Portland cement.*

Claims.—(1.) In the manufacture in a rotary kiln of clinker for making Portland cement, cooling the external surface of the shell of the kiln, substantially as and for the purpose set forth. (2.) In the manufacture in a rotary kiln of clinker for making Portland cement, the application of cooling-means to the external surface of the shell of the kiln at the burning zone thereof, and, if desirable, at parts adjacent to that zone, substantially as and for the purpose set forth.

[NOTE.—Here follow five other claims.]

(Specification, 6s. ; drawing, 1s.)

No. 24740.—30th July, 1908.—JACK GODFREY LE COUTEUR, of Petersham, near Sydney, New South Wales, Australia, Station-manager. An improved draught collar for horses and other animals.

Claims.—(1.) An improved draught collar for horses and other animals, characterized by a light flexible body, the forward edge of which is stiffened by a metal beading from which the draught is taken direct, substantially as described, and illustrated in the drawings. (2.) In a collar as claimed in claim 1, a light flexible body for the purpose and substantially as described. (3.) In a collar as claimed in claim 1, a shaped-metal beading with means for attaching the draught traces thereto, substantially as described and illustrated in the drawings. (4.) The form and construction of the collar as described, and illustrated in the drawings.

(Specification, 2s. 6d. ; drawing, 1s.)

No. 24820.—20th August, 1908.—PETRUS VAN LANSCHOTT ALKEMADE, of 448A Flinders Street, Melbourne, Victoria, Australia, Lime and Cement Merchant. An improved method of cleansing drinking-glasses and the like, with appliance for conducting same.

Claim.—(1.) In an improved method of cleansing drinking-glasses and the like, the vessel 1, to which is attached the plug 2, the tap 3, the circular projecting piece 4, with the outlet-pipe 5, substantially as described, and illustrated by the drawing.

[NOTE.—Here follow two other claims.]

(Specification, 4s. ; drawing, 1s.)

No. 24862.—28th August, 1908.—ARTHUR ISABERT CARR, of Te Karaka, New Zealand, Fencer. An improved fencing-batten.

Extract from Specification.—The batten is made of galvanised sheet-iron bent into the shape of a block letter "T," and provided with holes through which staples are passed and clinched.

[NOTE.—The above extract from the specification is inserted in place of the claims.]

(Specification, 1s. 6d. ; drawing, 1s.)

No. 24912.—8th September, 1908.—CHARLES KENDRICK, of Tariki, Taranaki, New Zealand, Farmer. An improved combined milk cooler, aerator, and strainer.

Claims.—(1.) An improved milk strainer, aerator, and sediment-retainer comprising, in combination, a strainer, inclined troughs perforated at lower ends, a movable dish with bars affixed to its floor at an acute angle, attached by clips to lower end of lowest trough, and a shute balanced on pivots and perforated in bottom of lower end. (2.) An improved milk-cooler with automatic water-circulation, comprising, in combination, a water-tank with inclined troughs attached to its side, with perforations at upper and lower ends covered by box pipes attached to inner side of tank, substantially as described and illustrated.

(Specification, 1s. 9d. ; drawing, 1s.)

No. 24952.—21st September, 1908.—FRANK CLENNELL, of Wellington, Marine Engineer, and FREDERICK WILLIAM THORP, of Motueka, Settler, both in New Zealand. Improvements in or relating to ships' propellers.

Extract from Specification.—According to this invention the propeller-boss is divided into two halves suitably bolted together, and the inner half of which is formed solid and is secured to the tail shaft. The blades are each formed with a shank upon its inner end that is journalled between the adjacent faces of the two halves of the boss, and suitably footstepped therein. A bevel wheel is secured to or formed in one with the inner end of each blade-shank, and the boss is suitably recessed to receive such bevel wheels and allow of them rotating with the blades.

[NOTE.—The above extract from the specification is inserted in place of the claims.]

(Specification, 4s. 6d. ; drawing, 1s.)

No. 24982.—25th September, 1908.—WALLACE JAMES LAMBERT SANDY, of Britannia Works, Canal Bridge, Old Kent Road, London, England, Electrical Engineer. An improved electrolyte for use in electric batteries.

Claim.—An electrolyte consisting of sulphuric and hydrochloric acids, chromic acid or bichromate of potash or soda, and caustic soda or potash, substantially as described.

(Specification, 1s. 6d.)

No. 25040.—6th October, 1908.—PERCY STUART IRWIN, of Waikaka, New Zealand, Inventor. Improvements in prevention of racing in marine engines. ¶

Claim.—(1.) In combination with the main steam-pipe of marine engines, an adjustable weight arranged to move by the pitching of the vessel, adjustable separately for length of swing, at each end of same, and attached to the valve controlling the passage of steam to the engines by adjustable rods and levers, for preventing racing of the engines, all substantially as described and as explained, and as illustrated in the drawing.

[NOTE.—Here follow two other claims.]

(Specification, 2s. 6d. ; drawing, 1s.)

No. 25062.—9th October, 1908.—BENJAMIN TREWHELLA and WILLIAM TREWHELLA, trading as "Trehella Bros." at Trentham, Victoria, Australia, Engineers and Ironworkers. Double-pinion toothed-gear train.

Extract from Specification.—The invention comprises, briefly, a floating pinion driving two pinions geared with a toothed element of any mechanism.

[NOTE.—The above extract from the specification is inserted in place of the claims.]

(Specification, 4s. 6d. ; drawing, 1s.)

No. 25069.—13th October, 1908.—WILLIAM JOHN PARSONS, of 83A Willis Street, Wellington, New Zealand, Builder. Improvements in step-ladders.

Claim.—(1.) In a step-ladder, a strut having rungs and pivoted to the ladder proper, and adapted to turn upon its pivots and rest against shoulders formed in the top step, and a catch for securing the strut in its elevated position, substantially as and for the purposes set forth.

[NOTE.—Here follow three other claims.]

(Specification, 2s. 6d. ; drawing, 1s.)

No. 25090.—17th October, 1908.—CHARLES STOTT, of Sandgate Road, Clayfield, Brisbane, Queensland, Australia, Carpenter, and THOMAS WOODLARK BROWNLEE, of Prospect Terrace, Brisbane aforesaid, Plumber. Improvements in totalisator apparatus.

Claim.—(1.) In totalisator apparatus of the class described, in combination, a series of ball compartments at a central office for each horse in the race, means for releasing a ball or specific number of balls from a compartment of a particular horse's series upon a wager being made in its favour, a ball compartment common to each series, means for releasing therefrom the balls discharged into said common compartments and disclosing upon separate indication plates or panels by the dials of relative recording-wheels the number of balls released from each common compartment, means for aggregating the balls released from the common compartment of each horse's series, and means for disclosing upon an indication-plate by the dials of recording-wheels the total number of balls aggregated.

[NOTE.—Here follow ten other claims.]

(Specification, 16s. ; drawing, 4s.)

No. 25100.—21st October, 1908.—OXYCHLORIDES (1907) LIMITED, of Winchester House, Old Broad Street, London, England, Manufacturers (assignees of Alexander Bremner Thomson, of Winchester House aforesaid, Gentleman. Improved method of, and apparatus for use in connection with, the treatment of sewage.

Claim.—(1.) For the prevention of the aerial nuisance in the treatment of sewage, the introduction of a non-toxic deodorising agent, such as oxymchloride, for example, into the liquors passing from sedimentation tanks, septic tanks, or

precipitation tanks to the contact-bed, streaming-filter, sprinkler-filter, or the land, in due proportions according to the strength of the said tank-liquors, for the purpose of deodorising without sterilising, substantially as described.

[NOTE.—Here follow two other claims.]

(Specification, 6s. ; drawing, 1s.)

No. 25113.—22nd October, 1908.—WILLIAM L. IMLAY, of Conestoga, Pennsylvania, United States of America, Gentleman. An improved filter.

Claim.—(1.) In a filter of the class described, comprising a tank provided with an outlet in the bottom thereof, a lateral filter spaced from the inner sides of said tank, a horizontal filter secured within and near the top of said tank and forming a joint with the top of said lateral filter, a removable bottom spaced from the bottom of said tank and forming a joint with the bottom of said lateral filter, means for backing and supporting the lateral filtering-material, means for supporting and spacing said filtering-material backing from the inner surface of said tank-sides, means for providing and retaining a top filtering-medium within said tank, means for forming a chamber within the bottom of said tank, and means for conducting the filtrate into and through said chamber.

[NOTE.—Here follow four other claims.]

(Specification, 10s. ; drawing, 1s.)

No. 25115.—22nd October, 1908.—THE AUCKLAND SEWING-MACHINE COMPANY, LIMITED, a company duly incorporated under the Companies Act of New Zealand, and having their registered office at 131 Queen Street, Auckland, New Zealand (assignees of Wilfrid Thomas Auckram, of Otahuhu, Auckland, New Zealand). Improvements in sewing-machines. ¶

Claims.—(1.) In a sewing-machine, in combination, a bifurcated take-up lever, a rotating looper, and a loop-making hook, substantially as set forth. (2.) In a sewing-machine, a looper comprising a circular base, a spindle integral with the base, an irregular rim rising from the base and terminating in a hollow hook, a second hook behind the first hook, and a reel-case race within the looper, substantially as set forth. (3.) In a sewing-machine, a reel-case comprising a circular dished base, a retainer integral with the base and adapted to engage a notch in the presser-plate, a vertical hollow stem rising from the base, a spring-operated pusher in the stem, a catch having a sided end and pivoted to the top of the stem, and a cap held upon the reel-case by the catch, substantially as set forth.

[NOTE.—Here follow three other claims.]

(Specification, 6s. ; drawing, 3s.)

No. 25117.—22nd October, 1908.—NATIONAL CASH REGISTER COMPANY, a corporation organized and existing under and by virtue of the laws of the State of New Jersey, United States of America, with factories and general offices at Dayton, Ohio, United States of America (assignees of Edmund S. Church, of Dayton aforesaid). Improvements in cash and credit registers.

Claims.—(1.) An accounting mechanism comprising a detachable entry-retaining device. (2.) An accounting mechanism comprising a detachable device having elements movable in accordance with transactions entered in the machine. (3.) An entry-retaining device comprising a plurality of elements movable in accordance with transactions, and means for locking said elements in adjusted position. (4.) An accounting-machine comprising a detachable entry-retaining device having elements adjustable for transactions entered in the machine, means for locking said elements, and means for releasing said locking-means when the device is in the machine.

[NOTE.—Here follow twenty-seven other claims.]

(Specification, £2 5s. ; drawing, 10s.)

No. 25120.—23rd October, 1908.—WILLIAM CARTER BRAY, of Rundle Street, Adelaide, South Australia, Printer. An improved cart-note case.

Claim.—(1.) A case for cart-notes and other printed matter, provided with an endless band with projecting ends on which there is fixed a foundation for holding the cart-notes or other printed matter.

[NOTE.—Here follow three other claims.]

(Specification, 2s. ; drawing, 1s.) ¶

No. 25121.—21st October, 1908.—FRANK OAKDEN, of 57 Cumberland Street, Dunedin, New Zealand, General Manager Milburn Lime and Cement Company, Limited (assignee of Ernest Schmatolla, of 317 High Holborn, London, England, Engineer). Improved process for the burning of limestone, dolomite, and the like.

Claim.—(1.) An improved process for burning limestone, dolomite, and the like, consisting in subjecting the material to the flames of a regulated mixture of furnace or producer gas and air in a vertical shaft kiln in which the draught is hindered by regulating the outlet valve or damper for the waste gases, substantially as described.

[NOTE.—Here follows one other claim.]

(Specification, 6s. ; drawing, 4s.)

No. 25122.—21st October, 1908.—FRANK OAKDEN, of 57 Cumberland Street, Dunedin, New Zealand, General Manager Milburn Lime and Cement Company, Limited (assignee of Ernest Schmatolla, of 317 High Holborn, London, England, Engineer). Improvements in kilns for burning limestone, dolomite, and the like.

Claim.—(1.) A vertical-shaft gas-fired kiln, having a central shaft provided with three separate arc-shaped shafts or chambers at the bottom formed by three separate curved bridges or walls, each bridge containing a straight flue or channel which is in connection with a gas-producer and extends to the outside of the kiln at the outer end, substantially as described.

[NOTE.—Here follow four other claims.]

(Specification, 5s. ; drawing, 4s.)

No. 25128.—26th October, 1908.—ALEXANDER JOHN ARBUCKLE, of 1 Main Street, Belgravia, near Johannesburg, Transvaal, Mechanical Engineer, and ALFRED OSBORNE, of 1 Main Street, Belgravia, aforesaid, Mine-manager. Improvements in rotary filtering-apparatus.

Claim.—(1.) In rotary filtering-apparatus of the nature specified, a cylindrical frame having continuous interior and exterior circumferential filtering-surfaces, and divided into a plurality of transverse circumferential non-communicating compartments, and separate suction and back-pressure pipes communicating with each of said compartments, substantially as described.

[NOTE.—Here follow nine other claims.]

(Specification, 12s. ; drawing, 2s.)

No. 25136.—28th October, 1908.—JAMES LEWIS, of Carterton, New Zealand, Gasfitter. An improved generator for acetylene gas.

Extract from Specification.—The carbide of calcium is placed within a pot hinged upon a handle in such manner that it may be passed down an inclined tube into the generating-vessel, which, as well as the tube, contains water. The generator has conical ends, the upper end being provided with purifying-material, while the lower end has a plug for the withdrawal of waste material.

[NOTE.—The above extract from the specification is inserted in place of the claims.]

(Specification, 2s. 6d. ; drawing, 1s.)

No. 25141.—29th October, 1908.—JAMES HENRY MORRIS, of Bingara, New South Wales, Australia, Selector. Improvements in seed-sowing machines.

Claims.—(1.) In a seed-sower, the combination with a seed-discharge aperture in the bottom of the seed-box, across which aperture the seed bridges, of a reciprocating feeder-bar within said box, said bar having a zigzag agitator above said aperture. (2.) In a seed-sower, the combination of a seed-box, an aperture in the bottom thereof, a slide-plate for regulating the area of said aperture, and a reciprocating feeder-bar with zigzagged portion forming an agitator operating above said aperture.

[NOTE.—Here follows one other claim.]

(Specification, 3s. 6d. ; drawing, 1s.)

No. 25142.—29th October, 1908.—JOHN HEINE, of George Street, Redfern, near Sydney, New South Wales, Australia, Machinery-manufacturer. Improvements in dies for forming sheet-metal ridge-capping.

Claims.—(1.) Dies for striking or forming metal-sheet ridge-capping consisting of a striker-die conforming in section to the section of the capping, and a counterpart having two rolling crescent dies which embrace the flanks of the blank when the press is closed. (2.) A counterpart die for the purposes set forth which contains two rolling dies and a retractor therefor, said dies being carried in pillows, and acting to close on the flanks of the blank when the striking die is lowered. (3.) The combination with a striking die having segmental head A and splayed shoulders B, of pillows D carrying two rolling counterpart dies E fitted with retractor springs or levers, substantially as described, and shown in the drawings.

(Specification, 2s. 9d. ; drawing, 1s.)

No. 25143.—29th October, 1908.—FRANK LOCK, of Dover Road, Rosé Bay, near Sydney, New South Wales, Australia, Wine and Spirit Merchant. Loose binder and file for documents, newspapers, and commercial papers.

Claim.—(1.) A loose binder for documents and papers, comprising a pair of leaves or plates and a tie consisting of a running string or tape reeved through perforations in the same.

[NOTE.—Here follow two other claims.]

(Specification, 3s. 6d. ; drawing, 1s.)

No. 25144.—29th October, 1908.—DOUGLAS STUART MURRAY, a member of the firm of John Sanderson and Co., of 111 William Street, Melbourne, Victoria, Australia, Merchant (assignee of Ralph Rogerson, of Shadwell, Myrtle Creek Road, Elphinstone, Victoria, Australia, Farmer). An improved grip for use in stitching wool-bales.

Claims.—(1.) The combination and arrangement of parts constituting the above-described bale-grip, the said parts being constructed and arranged substantially as and for the purposes specified, and as illustrated in the drawings. (2.) A bale-grip comprising prongs or teeth upon a bar having a projecting arm or lever with a supporting bar or strut pivoted thereto, substantially as and for the purposes specified, and as illustrated in the drawings. (3.) In a bale-grip, teeth or prongs as A projecting from a suitable bar or frame B, and either made integral with said bar or frame or riveted, bolted, or otherwise secured thereto, said teeth being either curved or straight, substantially as and for the purposes specified, and as illustrated in the drawings.

(Specification, 3s. 6d. ; drawing, 2s.)

No. 25145.—29th October, 1908.—MONOTYPE MACHINE (COLONIAL PATENTS) SYNDICATE, LIMITED, of 43 Fetter Lane, London, E.C., England (assignees of John Sellers Bancroft and Mauritz C. Indahl, of Philadelphia, Pennsylvania, United States of America, Engineers). Improvements in or relating to controller or record strip preparing or composing machines.

Claim.—(1.) A controller or record strip preparing or composing machine such as described, embodying the following elements in combination: A line-measuring mechanism including a reversing-valve, an indicator motor with a controlling-valve, a plurality of punch-bars each equipped with a motor and a controlling-valve; a universal bar coupled with the punch-bars and provided with a motor in open communication with the pressure-supply for the punch-bar motors; a motor for the reversing-valve of the line-measuring mechanism; alternative pressure-supply connections for said motor, including a directing-valve, a special valve coupled with a controlling-member, and the control-valve of a punch-bar motor; a space-registering mechanism provided with a motor controlled by the valve of one of the punch-bar motors; a plurality of controlling-members each provided with a movable shoulder for engaging a transmitting-member and means for advancing and retracting said engaging shoulders; a motor for said last-named means; and a valve controlling said last-named motor and coupled with the space-registering devices.

[NOTE.—Here follow fifty-six other claims.]

(Specification, £2 2s. ; drawing, 9s.)

No. 25146.—29th October, 1908.—JOHN FOSTER STEPHENSON, of Haines Street, Glenferrie, Victoria, Australia, Engineer. Improvements in spring mattresses.

Claims.—(1.) In spring mattresses, in combination, means for retaining the wire portion in a taut condition consisting of a movable transverse member as *c*, stationary members as *b* and *d*, two or more parallel bolts as *e* passing through the members *b* and *c*, the ends of the bolts carrying coiled springs as *g* that exert pressure on the movable member as *c*, and guide-plates as *h*, substantially as described. (2.) The general combination and arrangement of the several parts as described, and as illustrated on the sheet of drawings.

(Specification, 2s.; drawing, 1s.)

No. 25147.—29th October, 1908.—JOHN FOSTER STEPHENSON, of Haines Street, Glenferrie, Victoria, Australia, Engineer. Improvements in or connected with the joints of bedsteads.

Claims.—(1.) In joints of bedsteads, a removable duplex plug or dovetail as *g*, having a connecting-web as *i*, in combination with sockets formed in both the post-blocks and the side-rails ends, substantially as described. (2.) The combination and arrangement of the various parts as herein described, and as illustrated in Figs. 1 to 5 of the sheet of drawings.

(Specification, 2s. 6d.; drawing, 1s.)

An asterisk (*) denotes the complete specification of an invention for which a provisional specification has been already lodged.

NOTE.—The cost of copying the specification and drawing has been inserted after the notice of each application. An order for a copy or copies should be accompanied by a post-office order or postal note for the cost of copying.

The date of acceptance of each application is given after the number.

Extracts from the drawings accompanying the foregoing complete specifications appear at the end of this *Gazette*.

J. C. LEWIS,
Registrar.

Provisional Specifications accepted.

Patent Office,
Wellington, 9th December, 1908.

APPLICATIONS for Letters Patent, with provisional specifications, have been accepted as under:—

- No. 24868.—M. Ruddy, smoking-pipe. (M. Jeantet.)
 No. 25108.—E. W. Hursthouse, steam-cooking apparatus.
 No. 25111.—F. D. McLeod, mixing concrete and plaster to render same waterproof.
 No. 25116.—A. Ferguson, waste-paper basket.
 No. 25183.—W. J. Butler, sewing-machine.
 No. 25184.—C. E. Hodge and S. P. Anderson, teat-cup.
 No. 25187.—J. H. McLeod, cheese-vat.
 No. 25194.—J. D. McLaurin, baled-goods-temperature indicator. (W. Alexander.)
 No. 25208.—United Shoe Machinery Company, inseam-trimming machine. (A. Bates.)
 No. 25206.—J. Lomas, grading apples, &c.
 No. 25208.—G. H. Morley, cleansing drinking-vessels, &c.
 No. 25214.—D. A. Poole, teat-cup.
 No. 25215.—W. H. Trengrove, internal-combustion engine.
 No. 25218.—T. R. Clow, windmill.
 No. 25219.—E. L. Clark, valveless force-pump.
 No. 25220.—H. R. Smith, rotary pump.
 No. 25222.—J. E. Owen, sewer-tile.
 No. 25224.—W. G. Richardson, washing and drying hemp.
 No. 25226.—J. Phelps, building-plaster.
 No. 25228.—C. G. C. Whyte and A. Rau, manifold-copying book.
 No. 25233.—F. C. Ziemsen, cutting down plants under water.
 No. 25236.—A. W. Reid, milking machine vacuum pump.
 No. 25237.—W. T. Hitchen, gas-production.
 No. 25238.—W. E. Mainwaring, telephone-mouthpiece protector and disinfectant.
 No. 25242.—W. Borlase, motor-cycle driving-gear.
 No. 25243.—T. Woolley, match-boarding cramp.
 No. 25244.—A. H. Wright, advertising-device.
 No. 25249.—C. R. Skipage, cow-bail.

B

No. 25251.—F. J. Brown and H. Burke, valve for closing pipes.

No. 25252.—F. J. Brown and H. Burke, hose-coupling.

No. 25254.—R. Walker, fusible plug.

No. 25257.—J. J. Daily, saddle-cover.

No. 25268.—W. Hobbs, tramway dust-collector.

[NOTE.—Provisional specifications cannot be inspected, or their contents made known by this office in any way, until the complete specifications in connection therewith have been accepted.]

Letters Patent sealed.

LIST of Letters Patent sealed from the 23rd November to the 3rd December, 1908, inclusive:—

- No. 22005.—J. Stevenson, plough.
 No. 22758.—D. N. Hood, ore-treatment.
 No. 22916.—J. Budge and W. Booth, butter-cutter.
 No. 23211.—G. Hutchinson, seed-box.
 No. 23248.—F. A. Fischer, heat, &c., tester.
 No. 23256.—J. J. Blockley and J. A. Lissington, ventilator.
 No. 23294.—I. Shone and E. Ault, pneumatic sewage system.
 No. 23308.—L. J. Ambury, cow-cover.
 No. 23325.—C. D. Pike, flooring-cramp.
 No. 23328.—F. R. Dennison, spare wheel for motor-car.
 No. 23347.—J. Wilson, file.
 No. 23368.—N. Olsen, draught-regulator for fireplace.
 No. 23376.—Manufacturers' Machine Company, boot-buffing machine. (J. Gelzenlichter.)
 No. 23389.—W. F. Crawford, sheep shearing, &c., machine.
 No. 23392.—J. J. Blockley, water-closet cistern-valve.
 No. 23394.—W. Lizzani, convertible billiard-table.
 No. 33398.—B. F. Cranwell, seed and fertiliser broadcaster.
 No. 23412.—C. H. E. Hope-Johnstone, preparing milk for food. (Nutricia Centrale für Backhausmilch gesellschaft mit Beschränkter Haftung—G. Litsche.)
 No. 23451.—C. Suttie and M. H. Wynyard, flax-catcher.
 No. 23452.—C. Suttie and M. H. Wynyard, flax-cleaning.
 No. 23453.—C. Suttie and M. H. Wynyard, flax-catcher.
 No. 23705.—T. Bolton, insect-destroyer, &c.
 No. 23711.—H. Angus, flax-bleaching.
 No. 23952.—S. Winn, bed-rest.
 No. 24022.—A. J. Ericsson, grinding-machine.
 No. 24283.—W. G. Landells, branding-appliance.
 No. 24310.—A. Thompson, go-cart, &c., spring.
 No. 24353.—E. Nesbitt, braces.
 No. 24354.—E. Nesbitt, shoulder-strap, &c.
 No. 24375.—R. M. Simpson, metal-separating apparatus.
 No. 24393.—M. G. Newbould, automatic cut-off.
 No. 24449.—G. G. Turri, separator or classifier. (C. Churchill.)
 No. 24458.—A. A. Stephenson, vapouriser.
 No. 24623.—A. A. Stephenson, mixture for enriching coal-gas.
 No. 24678.—C. D. Bondfield, anti-rattler for sash.
 No. 24698.—Ambro Limited, food composition. (O. L. M. Abramowski and F. Rosing.)
 No. 24739.—H. N. Bingham, mowing machine tedder.
 No. 24752.—A. F. Billing, skirt-cutting chart.
 No. 24767.—P. Zerbinio, sliding gate and lock.
 No. 24795.—G. R. Andrew, dress-cutting chart.
 No. 24796.—W. H. Blackham, milking-apparatus.

Letters Patent on which Fees have been paid.

[NOTE.—The dates are those of the payments.]

- No. 18825.—T. Danks, windmill. 28th November, 1908.
 No. 18828.—J. J. Strain, gas stove. 2nd December, 1908.
 No. 18837.—Window-glass Machine Company, sheet-glass manufacture. (J. H. Lubbers.) 1st December, 1908.
 No. 18915.—Ammonal Explosives (1908), Limited, explosive. (Ammonal Explosives, Limited—H. R. von Dahmen.) 25th November, 1908.

THIRD-TERM FEES.

- No. 14299.—The Victorian Forage-pressing Company Proprietary, Limited, forage, &c., press. (J. Ferrier.) 23rd November, 1908.
 No. 14373.—The British Charrier Wood-carving Company, Limited, wood-carving machine. (L. C. H. Charrier.) 2nd December, 1908.

Subsequent Proprietors, &c., of Letters Patent registered.

[NOTE.—The name of the patentee is given in brackets; the date is that of registration.]

NO. 12793.—Notification of agreement, dated 8th May, 1907, entered on the Register, between the Milburn Lime and Cement Company, Limited, and John Wilson and Co., Limited, to the effect that the said John Wilson and Co., Limited, shall have the full and exclusive license and right to use and exercise the invention in the Provincial District of Auckland, and such other parts of New Zealand as may be agreed upon, for the residue of the term of fourteen years, and to manufacture, sell, and dispose of, within the said district, pipes made according to said invention, upon the terms and conditions set out. Making cylindrical articles from cement mortar, &c. (The Milburn Lime and Cement Company, Limited—C. J. Kielberg.) 2nd December, 1908.

NO. 12793.—Notification of agreement, dated 18th January, 1908, entered on the Register, between Wilson's Portland Cement Company, Limited, and Rice Owen Clark, of Auckland, New Zealand, pipe-manufacturer, whereby the said company has agreed to sell, and the said Rice Owen Clark to buy, the rights, privileges, liberties, and authorities of the former upon the terms and conditions set out. Making cylindrical articles from cement mortar, &c. (The Milburn Lime and Cement Company, Limited—C. J. Kielberg.) 2nd December, 1908.

NO. 12793.—Notification of agreement, dated the 30th September, 1908, entered on the Register, between Rice Owen Clark and R. O. Clark, Limited, a company duly incorporated in New Zealand under "The Companies Act, 1908," and having its registered office in Enderby's Building, Queen Street, Auckland, New Zealand, whereby the said Rice Owen Clark has agreed to sell, and the said R. O. Clark, Limited, to buy, the rights, privileges, and authorities of the former, upon the terms and conditions set out. Making cylindrical articles from cement mortar. (The Milburn Lime and Cement Company, Limited—C. J. Kielberg.) 2nd December, 1908.

NO. 20638.—Henry Leslie Friend, of Auckland, in the Dominion of New Zealand, Agent. Mode of building in concrete. (H. A. Goddard.) 25th November, 1908.

NO. 23375.—Thomas Johnson, Land Agent, and Thomas William Johnson, Fancy-goods Salesman, both of Graham Street, South Brisbane, in the State of Queensland, Commonwealth of Australia, registered as proprietors of the interest of Richard Frank Tunley. Pressing cement and sand into blocks. (T. Johnson, T. W. Johnson, and R. F. Tunley.) 2nd December, 1908.

NO. 23748.—Linotype and Machinery, Limited, of 188 and 189 Fleet Street, London, England. Storing magazines of typographical composing-machines. (W. E. Hughes—Linotype and Machinery, Limited—W. H. Scharf.) 5th December, 1908.

NO. 23956.—James Edward Cowell and Charles Kneebone, of Hawera, Plumbers, and John Hardley, of Auckland, Plumber, registered as proprietors in respect of the Counties of Hawera and Eltham. Mixture for use in connection with incandescent vapour light. (A. A. Stephenson.) 24th November, 1908.

NO. 24623.—Charles Seymour McFarlane, of His Majesty's Theatre, Gisborne, Poverty Bay, New Zealand, registered as proprietor for the Counties of Waiapu, Cook, and Wairoa. Mixture for enriching coal-gas. (A. A. Stephenson.) 7th December, 1908.

Applications for Letters Patent abandoned.

LIST of applications, with which provisional specifications only have been filed, abandoned (i.e., complete specifications not lodged) from the 24th November to the 7th December, 1908, inclusive:—

- No. 23939.—F. Sewell, propeller.
- No. 23942.—C. Mills, hand-tool handle.
- No. 23944.—D. E. Davis, C. D. Lightband, and S. H. Knight, tire-cover.
- No. 23945.—C. H. Osborne, vessel for liquids under pressure.
- No. 23947.—W. I. Wilshire, candle-extinguisher.
- No. 23950.—W. V. Page, attaching labels to fabrics.
- No. 23951.—M. R. Green, non-refillable bottle.
- No. 23954.—R. Millis, speed-indicator.
- No. 23960.—T. Hall and F. Elvines, metal-saving mat.
- No. 23961.—J. N. McLean, attaching roof-iron to buildings.
- No. 23962.—C. J. Swann, wire-rope grip.

- No. 23963.—J. D. McLaurin, bale-tester. (W. Alexander.)
- No. 23965.—R. Millis, sheet-delivery apparatus.
- No. 23968.—R. J. Roach, safety spring catch.
- No. 23974.—E. J. Ritchie, seat-spring for motor cycle.
- No. 23979.—J. C. Cuff, water, &c., heater.

Applications for Letters Patent void.

APPPLICATIONS for Letters Patent, with which complete specifications have been lodged, void owing to non-acceptance of such complete specifications, from the 24th November to the 7th December, 1908, inclusive:—

Nil.

Applications for Letters Patent lapsed.

APPPLICATIONS for Letters Patent lapsed, owing to Letters Patent not being sealed, from the 24th November to the 7th December, 1908, inclusive:—

- No. 22779.—R. Pierce, wire-strainer.
- No. 22885.—J. B. and J. J. Salmon, tire-protector.
- No. 22901.—W. Morton, water-wheel for current-motor.
- No. 22904.—H. M. Levinge, altazimuth instrument.
- No. 22947.—T. J. McBride, resilient wheel.
- No. 22964.—A. Storrie, teat-cup.

Request for Correction of Clerical Error in Application for Letters Patent.

NO. 25184.—C. E. Hodges and S. P. Anderson, milking-machine teat-cup. (Advertised in Supplement to *New Zealand Gazette*, No. 100, of the 10th December, 1908.)

On the application, authorisation, and provisional specification, to alter the name "Anderson" to "Andersen."

Letters Patent void.

LIST of Letters Patent void through non-payment of renewal fees, and through expiry of term of fourteen years, from the 24th November to the 7th December, 1908, inclusive:—

THROUGH NON-PAYMENT OF SECOND-TERM FEES.

- No. 18362.—J. C. Hinton, spread of wheels controller.
- No. 18366.—Henry R. Worthington, centrifugal turbine pump. (F. Ray.)
- No. 18367.—Henry R. Worthington, centrifugal turbine pump. (F. Ray.)
- No. 18371.—E. Schulze, catamenial appliance.
- No. 18376.—J. S. Raworth, electrically propelled vehicle.
- No. 18377.—J. C. P. Kirkwood, electric arc lamp.
- No. 18379.—W. Stevenson, washing-boiler cover, &c.
- No. 18386.—J. J. McDade, postage-stamp affixer.
- No. 18391.—O. M. J. Olsen and W. Gates, gas-regulator.
- No. 18393.—G. A. Abbott, liquid-filter.
- No. 18395.—T. Burrell, boot-sole, &c.
- No. 18397.—H. Ward, brush.
- No. 18404.—J. J. Gleeson and J. Gleeson, milk, &c., purifier. (A. A. Turner.)
- No. 18406.—The Hallé Spring Wheel Syndicate, Limited, vehicle-wheel. (C. R. S. J. Hallé.)
- No. 18407.—F. Eisenbeis and F. Garely, coal-cutter.
- No. 18408.—W. Quin, receipt and cheque form.
- No. 18415.—M. Weinrich, drying granular materials.
- No. 18418.—Standard Mouthpiece Machine Company, cigarette, &c., mouthpiece. (G. B. Butler.)
- No. 18419.—J. A. Ferguson, building-block.
- No. 18420.—J. A. Ferguson, press. (G. H. Denton.)
- No. 18422.—D. Kitchen, bridle-fastening.
- No. 18425.—J. Shepherd, boiler water-gauge.
- No. 18429.—S. G. Whitehouse, wheeled vehicle.

THROUGH NON-PAYMENT OF THIRD-TERM FEES.

- No. 18958.—F. W. Page, fencing-dropper.
- No. 18973.—E. R. Cahoon, stove.

THROUGH EXPIRY OF TERM.

- No. 7281.—J. Greenalade, threshing, &c., machine.
- No. 7296.—The Greenwich Inlaid Linoleum (Frederick Walton's New Patents) Company, Limited, mosaic floor-cloth manufacture. (F. Walton.)

Designs registered.

DESIGNS have been registered in the following names on the dates mentioned:—

Nos. 418 to 443.—John Black, of 203 Karangahape Road, in the City of Auckland and Provincial District of Auckland, Dominion of New Zealand. Class 3. 24th November, 1908.

No. 444.—George Taylor Muir, Thomas McLeod Muir, and James Kennedy Muir, Junior, trading under the name, style, or firm of J. and T. Muir, Ironfounders, of Leveson Street, North Melbourne, in the State of Victoria, Australia, assignees of John Foster Stephenson, of Haines Street, Glenferrie, in the State of Victoria, Australia, Engineer. Class 1. 2nd December, 1908.

Applications for Registration of Trade Marks.

Patent Office,
Wellington, 9th December, 1908.

APPLICATIONS for registration of the following Trade Marks have been received. Notice of opposition to the registration of any of these applications may be lodged at this office within two months of the date of this Gazette. Such notice must be in duplicate, and accompanied by a fee of £1.

No. of application : 7322.

Date : 13th May, 1908.

TRADE MARK.

The word

REXINE

NAME.

BRITISH LEATHER CLOTH MANUFACTURING COMPANY, LIMITED,
of Newton, Hyde, near Manchester, England.

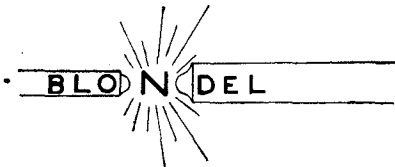
No. of class : 36.

Description of goods : Carpets, floorcloth, and oilcloth.

No. of application : 7403.

Date : 24th June, 1908

TRADE MARK



NAME.

CROMPTON AND Co., LIMITED, whose registered office is situate at Salisbury House, London Wall, London E.C., England, Electrical Engineers.

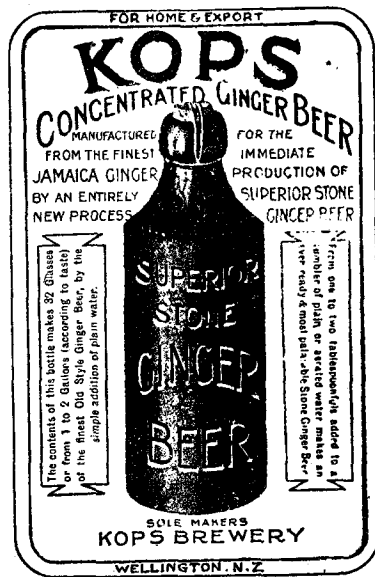
No. of class : 8.

Description of goods : Arc lamps and carbons therefor.

No. of application : 7580.

Date : 24th September, 1908.

TRADE MARK.



The essential particulars of this trade mark are the device and the distinctive label; and applicants disclaim any right to the exclusive use of the added matter, excepting the names "Kops" and "Kops Brewery," and address.

NAME.

L. CASELBERG AND Co., LIMITED, of Wellington, in the Dominion of New Zealand, Brewers and Merchants.

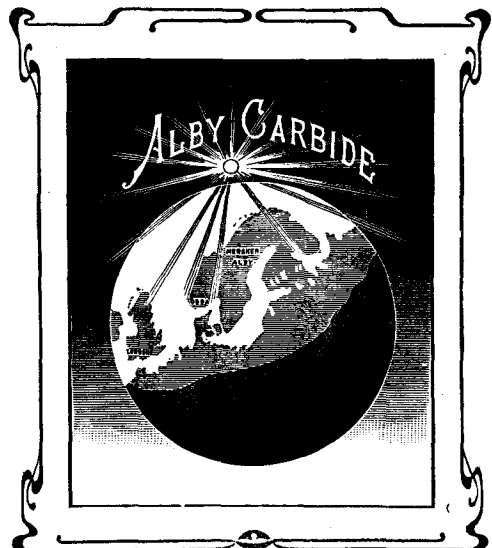
No. of class : 44.

Description of goods : Concentrated ginger-beer.

No. of application : 7615.

Date : 15th October, 1908.

TRADE MARK.



The essential particulars of this trade mark are the word "Alby" and a globe illuminated by a radial body; and any right to the exclusive use of the added matter is disclaimed.

NAME.

ALBY UNITED CARBIDE FACTORIES, LIMITED, of Winchester House, Old Broad Street, London E.C., England, Manufacturers.

No. of class : 1.

Description of goods : Carbide of calcium.

No. of application : 7643.

Date : 29th October, 1908.

TRADE MARK.

The word

"TOPALL."

NAME.

BUTTERWORTH BROS., NEW ZEALAND, LIMITED, of High Street, Dunedin, in the Dominion of New Zealand, Warehousemen and Manufacturers.

No. of class : 38.

Description of goods : Caps and hats.

No. of application : 7644.

Date : 29th October, 1908.

TRADE MARK.



The essential particulars of this trade mark are as follows—the word "Insectibane" and the combination of devices; and any right to the exclusive use of the added matter is disclaimed.

NAME.

ROCKE, TOMPSITT, AND Co., of Nos. 292-298 Flinders Street, Melbourne, in the State of Victoria, Commonwealth of Australia, Wholesale Druggists.

No. of class : 2.

Description of goods : Insect-destroying powder.

No. of application : 7653.

Date : 4th November, 1908.

TRADE MARK.

The word

"SANITOR."

NAME.

GEORGE CHRISTIAN STOLTZ, of 2 Bridge Street, Sydney, New South Wales, in the Commonwealth of Australia.

No. of class : 18.

Description of goods : Sanitary apparatus, such as deodorisers, and evaporators, &c., to annihilate noxious odours.

No. of application : 7657.

Date : 21st November, 1908.

TRADE MARK.



The essential particulars of this trade mark are the word "Excelsior" and the design of a boy bearing a banner upon which is the word "Excelsior"; and any right to the exclusive use of the word "Brand" is disclaimed.

NAME.

JOHN MCKAIL GEDDES, trading as "Brown, Barrett, and Co.," of Customs Street East, Auckland, in the Dominion of New Zealand.

No. of class : 42.

Description of goods : All articles, substances used as food or as ingredients in food, with the exception of pickles, sauces, vinegar, cordials, chutney, meat, and poultry, or articles of a like description.

No. of application : 7670.

Date : 13th November, 1908.

TRADE MARK.



The essential particulars of this trade mark are the device and the general get-up; and any right to the exclusive use of the added matter is disclaimed.

NAME.

A. C. SYMONDS AND Co., of 208 Lambton Quay, Wellington in the Dominion of New Zealand, Importers and Agents.

No. of class : 3.

Description of goods : Sarsaparilla.

No. of application : 7678.
Date : 18th November, 1908.

TRADE MARK.



The essential particulars of this trade mark are the combination of devices and the words "Unicorn" and "Wan Soon"; and the applicants disclaim any right to the exclusive use of the added matter, except their name.

NAME.

ONG SAM LEONG AND Co., of 41 Robinson Road, Singapore, Straits Settlements, Fruit-preservers.

No. of class : 42.
Description of goods : Preserved fruit.

No. of application : 7680.
Date : 18th November, 1908.

TRADE MARK.



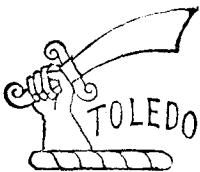
NAME.

JOHN DEWSBURY AND SON, of 4 Littleton Street, Walsall, England, Manufacturers.

No. of class : 13.
Description of goods : Bridle-bits, stirrups, spurs, harness furniture, and golf-clubs made of ordinary metal.

No. of application : 7690.
Date : 23rd November, 1908.

TRADE MARK.



The applicants claim that the said trade mark has been used by them and their predecessors in business in respect of the said goods since upwards of twenty-five years last past.

NAME.

JOHN HENRY ANDREW AND Co., LIMITED, of Toledo Steel-works, Sheffield, England, Manufacturers.

No. of class : 6.
Description of goods : Machinery of all kinds and parts thereof, including machine-knives, machine-tools, twist-drills, milling and other cutters, and similar goods included in this class and not included in other classes.

No. of application : 7691.
Date : 23rd November, 1908.

TRADE MARK.

(The mark as shown in preceding notice, No. 7690.)

The applicants claim that the said trade mark has been used by them and their predecessors in business in respect of the said goods since upwards of twenty-five years last past.

NAME.

JOHN HENRY ANDREW AND Co., LIMITED, of Toledo Steel-works, Sheffield, England, Manufacturers.

No. of class : 12.
Description of goods : Cutlery and edge-tools, files, and saws.

No. of application : 7692.
Date : 23rd November, 1908.

TRADE MARK.

(The mark as shown in preceding notice No. 7690.)

The applicants claim that the said trade mark has been used by them and their predecessors in business in respect of the said goods since upwards of twenty-five years last past.

NAME.

JOHN HENRY ANDREW AND Co., LIMITED, of Toledo Steel-works, Sheffield, England, Manufacturers.

No. of class : 13.
Description of goods : Metal goods not included in other classes.

No. of application : 7693.

Date : 23rd November, 1908.

TRADE MARK.

TOLEDO - TOREADOR

NAME.

JOHN HENRY ANDREW AND Co., LIMITED, of Toledo Steel-works, Sheffield, England, Manufacturers.

No. of class : 6.

Description of goods: Machinery of all kinds and parts thereof, including machine-knives, machine-tools, twist-drills, milling and other cutters, and similar goods included in this class and not included in other classes.

No. of application : 7694.

Date : 23rd November, 1908.

TRADE MARK.

(The mark as shown in preceding notice, No. 7693.)

NAME.

JOHN HENRY ANDREW AND Co., LIMITED, of Toledo Steel-works, Sheffield, England, Manufacturers.

No. of class : 12.

Description of goods: Cutlery and edge-tools, files, and saws.

No. of application : 7695.

Date : 23rd November, 1908.

TRADE MARK.

(The mark as shown in preceding notice No. 7693.)

NAME.

JOHN HENRY ANDREW AND Co., LIMITED, of Toledo Steel-works, Sheffield, England, Manufacturers.

No. of class : 13.

Description of goods: Metal goods not included in other classes.

No. of application : 7705.

Date : 26th November, 1908.

TRADE MARK.

The word

"KOZIE."

NAME.

W. SCOUJAR AND Co., of Bond and Jetty Streets, Dunedin, in the Dominion of New Zealand, Merchants.

No. of class : 42.

Description of goods: Substances used as food or as ingredients in food, excepting butter.

No. of application : 7706.

Date : 27th November, 1908.

TRADE MARK.

The words

"BROWN PEAS."

The essential particular of this trade mark is the word "Peas"; and any right to the exclusive use of the word "Brown" is disclaimed.

NAME.

GEORGE W. WILTON AND Co., LIMITED, of 61 Cuba Street, Wellington, in the Dominion of New Zealand, Manufacturing Chemists and Importers of Scientific Apparatus.

No. of class : 3.

Description of goods: Wilton's stomach and liver pills.

No. of application : 7707.

Date : 28th November, 1908.

TRADE MARK.

CARBONA

NAME.

CARBONA PRODUCTS COMPANY, a corporation organized and existing under the laws of the State of New Jersey, and having its principal place of business at No. 5 Burnet Street, Newark, New Jersey, in the United States of America.

No. of class : 50.

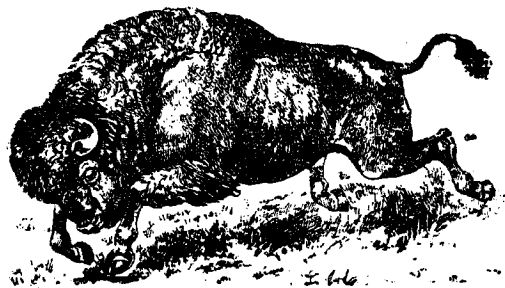
Description of goods: Cleaning and polishing preparations and materials.

No. of application : 7710.

Date : 2nd December, 1908.

TRADE MARK.

HENRY BERRY & CO.



BIUFFALO.

NAME.

HENRY BERRY AND Co., of 116 Lichfield Street, Christchurch, in the Dominion of New Zealand.

No. of class : 12.

Description of goods: Cutlery.

No. of application : 7712.
Date : 2nd December, 1908.

TRADE MARK.

The word

NILUX

NAME.

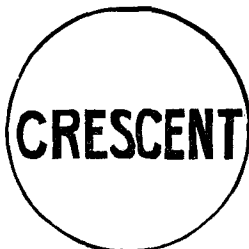
COONEY'S MANUFACTURING COMPANY, LIMITED, of Steam Mills, Back Lane, in the City of Dublin, Ireland, Manufacturers.

No. of class : 50.

Description of goods : Blacklead included in this class, blacking, boot-polishes, metal-polishes, and polishing-creams.

No. of application : 7713.
Date : 2nd December, 1908.

TRADE MARK.



NAME.

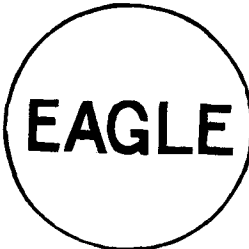
BRYANT AND MAY, LIMITED, of Fairfield Works, Bow, London, England, Match-manufacturers.

No. of class : 47.

Description of goods : Matches, vestas, night-lights, lucifers, tapers, and fuseses included in Class 47.

No. of application : 7714.
Date : 2nd December, 1908.

TRADE MARK.



NAME.

BRYANT AND MAY, LIMITED, of Fairfield Works, Bow, London, England, Match-manufacturers.

No. of class : 47.

Description of goods : Matches, vestas, night-lights, lucifers, tapers, and fuseses included in Class 47.

No. of application : 7716.
Date : 2nd December, 1908.

TRADE MARK.



NAME.

BRYANT AND MAY, LIMITED, of Fairfield Works, Bow, London, England, Match-manufacturers.

No. of class : 47.

Description of goods : Matches, vestas, night-lights, lucifers, tapers, and fuseses included in Class 47.

J. C. LEWIS,
Registrar.

Trade Marks registered.

LIST of Trade Marks registered from the 25th November to the 7th December, 1908, inclusive :—

No. 5956/7531.—E. Shep Dixon. Class 15. (*Gazette* No. 72, of the 17th September, 1908.)

No. 5957/7538.—J. B. MacEwan and Co., Limited. Class 42. (*Gazette* No. 72, of the 17th September, 1908.)

No. 5958/7542.—Bagley and Wright, Limited. Class 23. (*Gazette* No. 72, of the 17th September, 1908.)

No. 5959/7543.—J. Dewhurst and Sons, Limited. Class 23. (*Gazette* No. 72, of the 17th September, 1908.)

No. 5960/6873.—Buchanan-Foster Company. Class 17. (*Gazette* No. 72, of the 17th September, 1908.)

No. 5961/7050.—H. M. Groube. Class 3. (*Gazette* No. 105, of the 12th December, 1907.)

No. 5962/7546.—J. Braadland. Class 42. (*Gazette* No. 72, of the 17th September, 1908.)

No. 5963/7548.—J. Daghish. Class 3. (*Gazette* No. 72, of the 17th September, 1908.)

No. 5964/7567.—New Zealand Powell Wood Process, Limited. Class 50. (*Gazette* No. 75, of the 1st October, 1908.)

Subsequent Proprietor of Trade Mark registered.

[NOTE.—The name of the former proprietor is given in brackets; the date is that of registration.]

NO. 6331/4907.—Moore Manufacturing Company, Limited, a company duly incorporated, having its registered office in Dunedin, and carrying on business as manufacturers of household requisites. (T. McKenzie.) 7th December, 1908.

Application for Trade Mark refused.

THE following application for registration of a trade mark has been refused :—

No. 7428.—W. Wylie. (Advertised in Supplement to *New Zealand Gazette*, No. 58, of the 23rd July, 1908.)

Trade Marks removed from the Register.

TRADE Marks removed from the Register owing to the non-payment of the renewal fee, from the 23rd November to the 7th December, 1908, inclusive :—

No. 1219/952.—31st August, 1894.—G. F. Morris, F. H. Morris, and C. H. Morris, Brown's Plains, Australia. Class 43.

No. 1220/1216.—31st August, 1894.—W. R. Cook, Pahiataua, New Zealand. Class 42.

No. 1224/1154.—5th September, 1894.—W. C. Johnston and C. L. Dearsley, Christchurch, New Zealand. Class 3.

No. 1226/969.—5th September, 1894.—J. Florey, Adelaide, Australia. Class 38.

No. 1227/970.—5th September, 1894.—C. A. Falstedt, Sydney, Australia. Class 48.

No. 1232/1077.—7th September, 1894.—F. Stearns and Co., Detroit, U.S.A. Class 3.

No. 1233/1078.—7th September, 1894.—F. Stearns and Co., Detroit, U.S.A. Class 3.

... of the ...
 ... of the ...
 ... of the ...

... of the ...
 ... of the ...
 ... of the ...

... of the ...
 ... of the ...
 ... of the ...

... of the ...
 ... of the ...
 ... of the ...

... of the ...
 ... of the ...
 ... of the ...

... of the ...
 ... of the ...
 ... of the ...

... of the ...
 ... of the ...
 ... of the ...

... of the ...
 ... of the ...
 ... of the ...

... of the ...
 ... of the ...
 ... of the ...

ILLUSTRATIONS OF INVENTIONS.

[These illustrations refer to the complete specifications accepted, and advertised in this *Gazette*.]

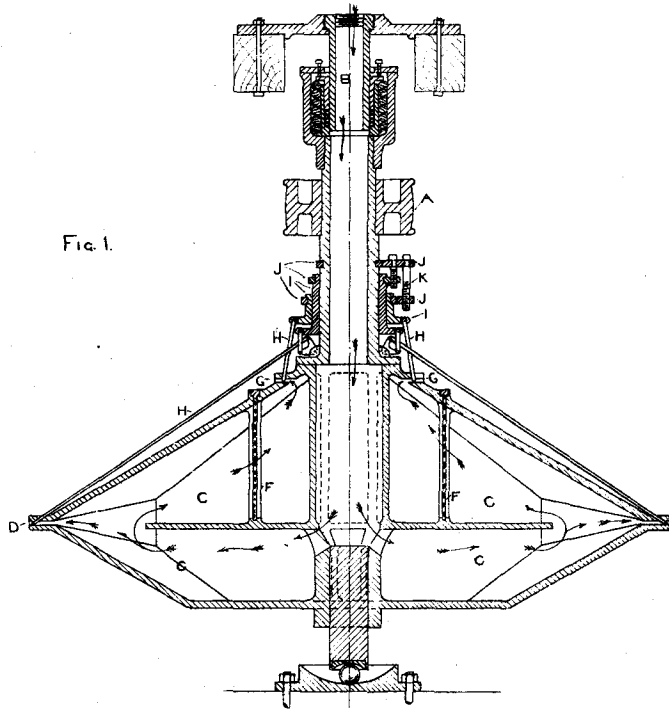


Fig. 1.

23829

Browne. Centrifugal Thickener and Separator.

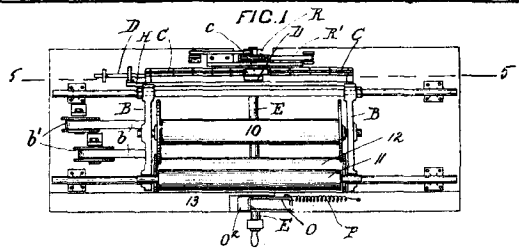
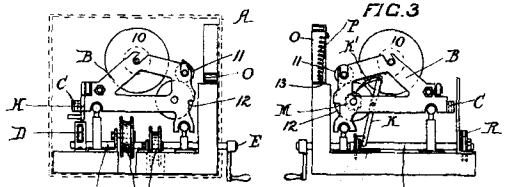


FIG. 1.



23632

Parker. Vending-machine.

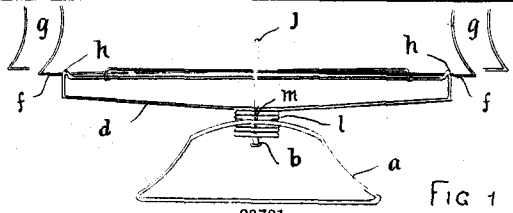
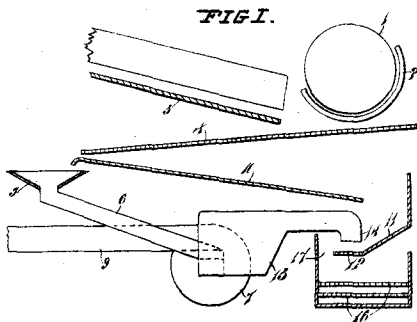


FIG 1

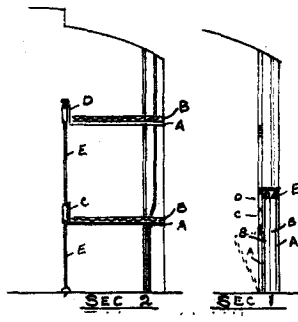
23781

Morton. Wool-winder.



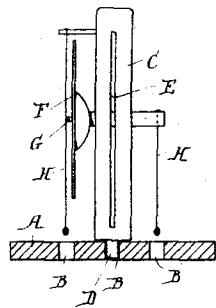
23872

Hadecke. Seed-threshing Machine.



23903

Maddison. Railway-carriage.



23800

Levinge. Altazimuth Instrument.

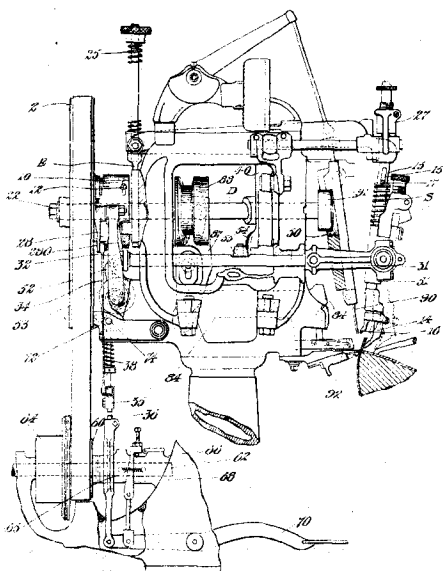
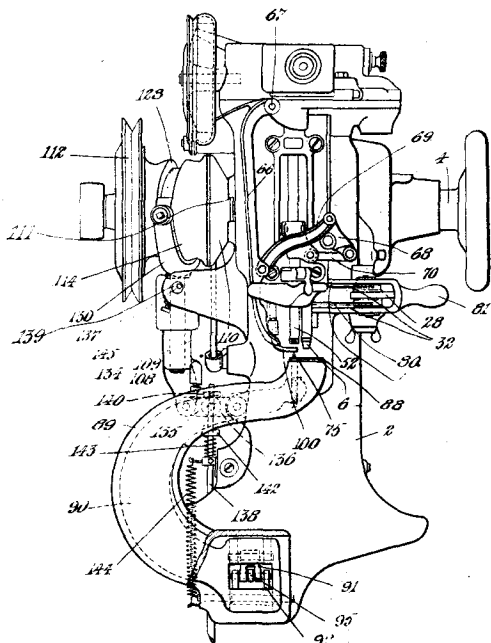


FIG. 1.

23975

United Shoe Machinery Company. Boot-machine. (Bates.)



23976

United Shoe Machinery Company. Punching-machine. (Jerram and Goulbourn.)

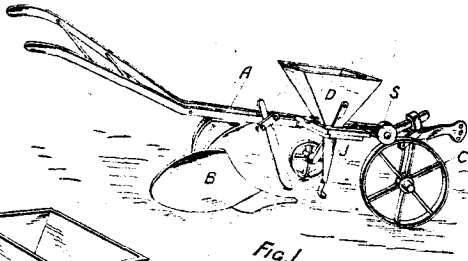


Fig. 1.

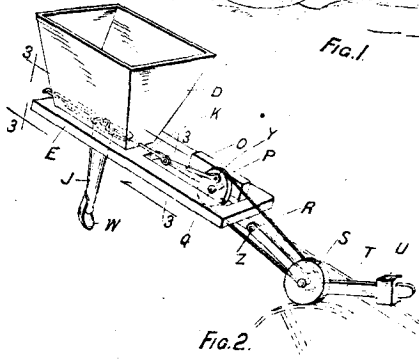
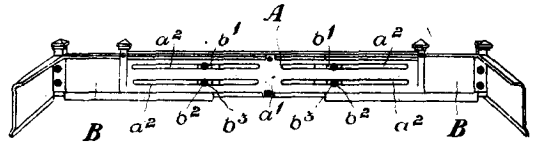
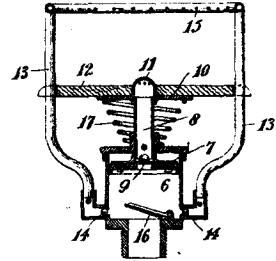


Fig. 2.

25141
Morris. Seed-sower.



23830
Smart. Fender.



24820
Alkemada. Glass-cleaner.

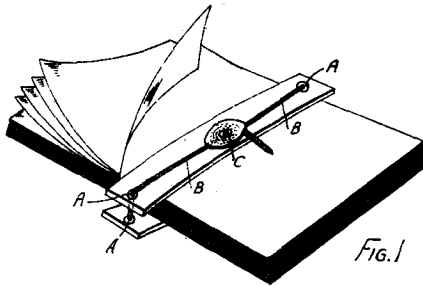
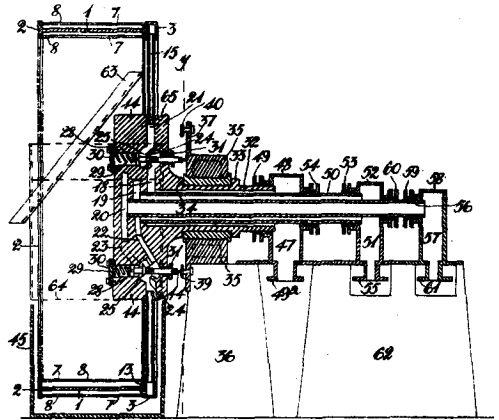
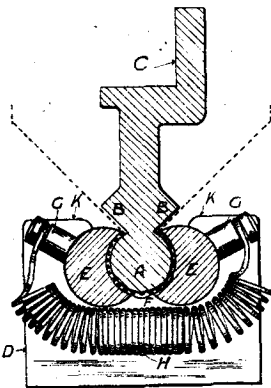


Fig. 1.

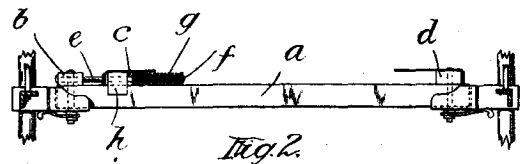
25143
Lock. File.



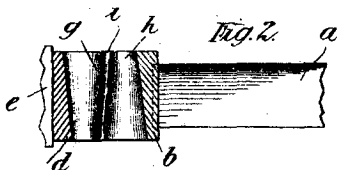
25128
Arbuckle and Osborne. Filtering Apparatus.



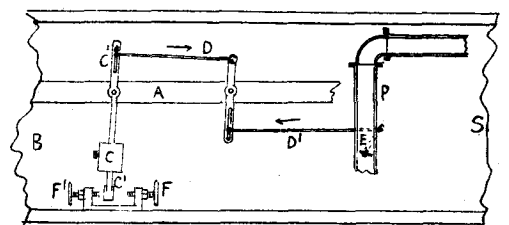
25142
Heine. Ridge-capping Die.



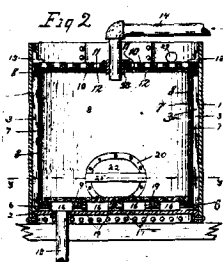
25146
Stephenson. Spring Mattress.



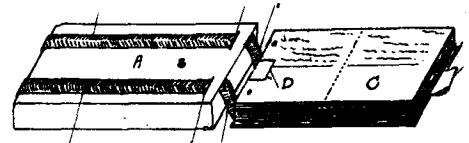
25147
Stephenson. Bedstead-joint.



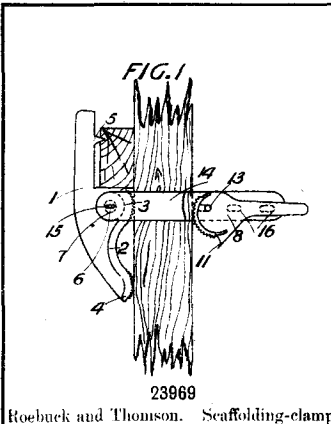
25040
Irwin. Marine Engine.



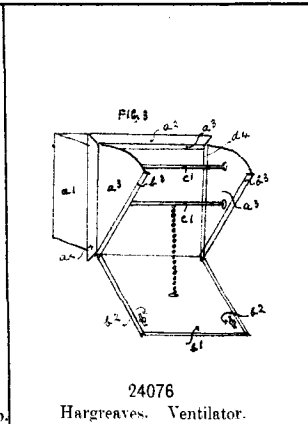
25113
Inlay. Filter.



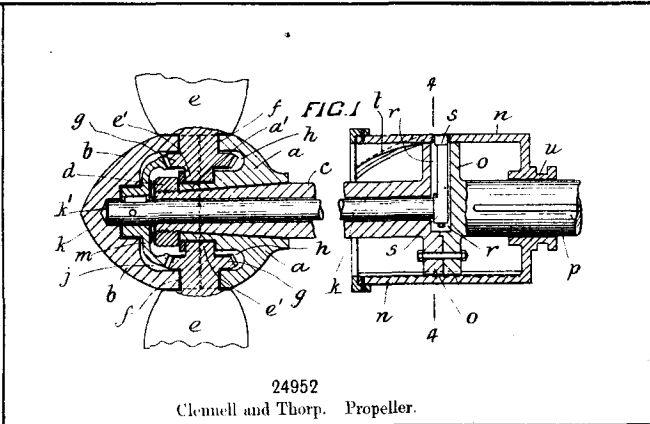
25120
Bray. Cart-note Case.



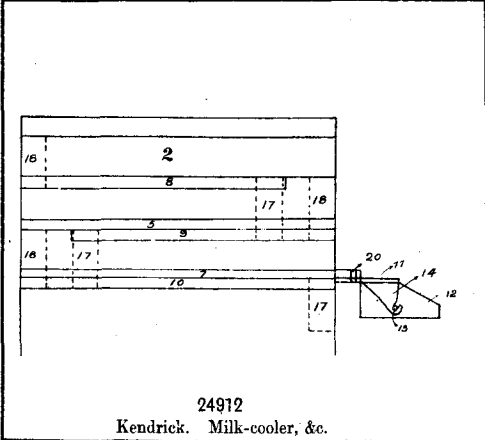
23869
Roebuck and Thomson. Scaffolding-clamp.



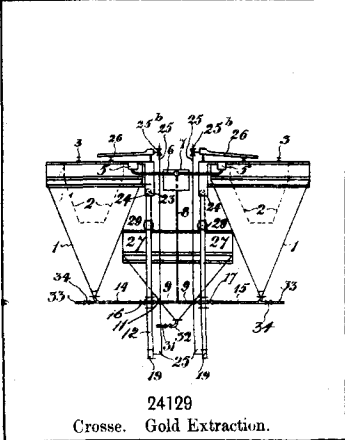
24076
Hargreaves. Ventilator.



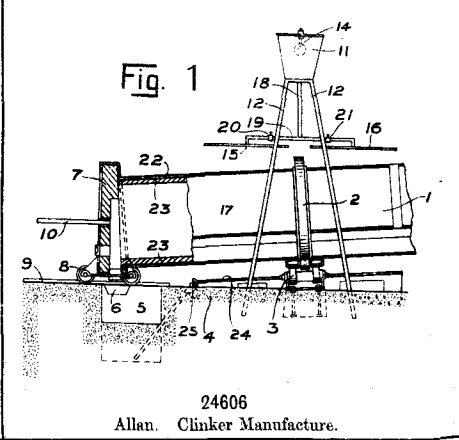
24952
Clemell and Thorp. Propeller.



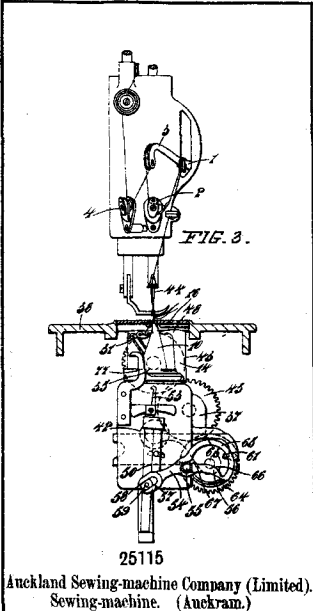
24912
Kendrick. Milk-cooler, &c.



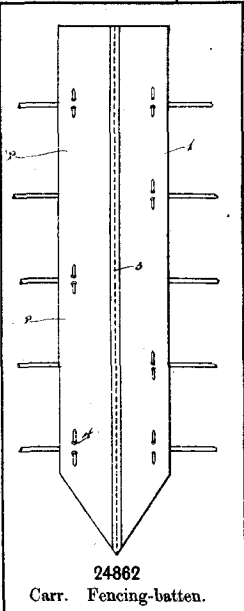
24129
Crosse. Gold Extraction.



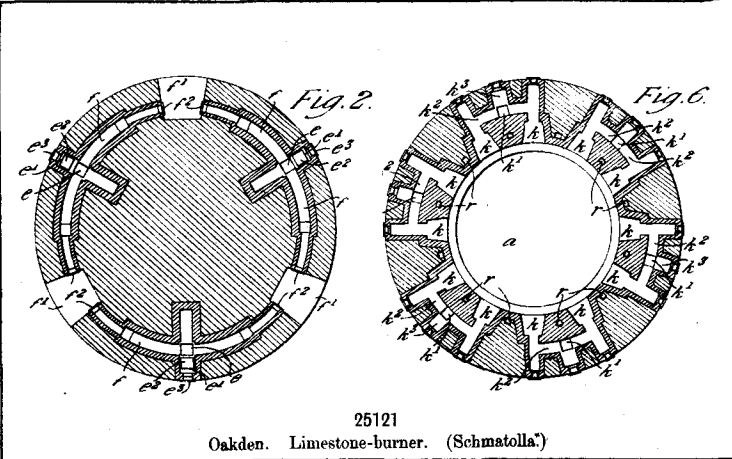
24606
Allan. Clinker Manufacture.



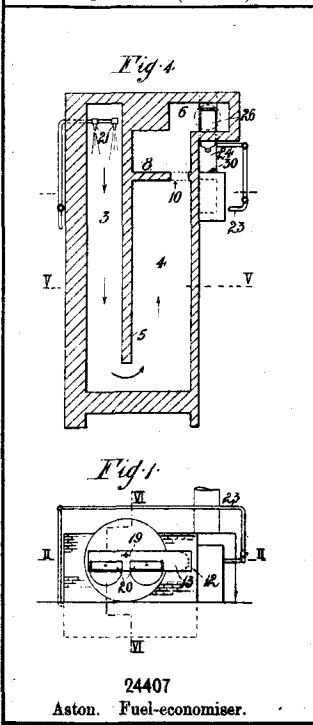
25115
Auckland Sewing-machine Company (Limited).
Sewing-machine. (Auckram.)



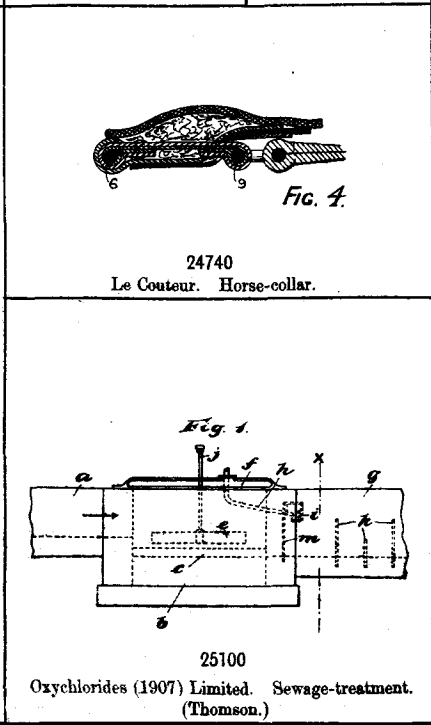
24862
Carr. Fencing-batten.



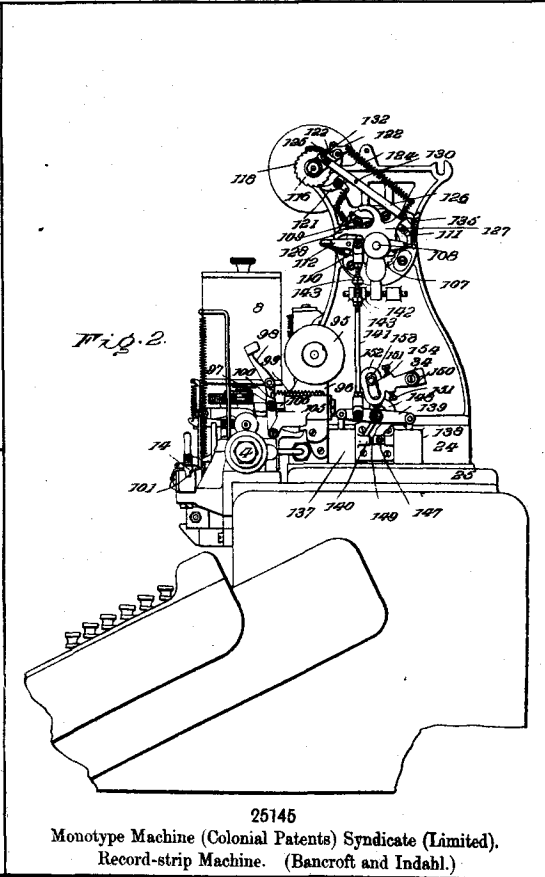
25121
Oakden. Limestone-burner. (Schmatolla.)



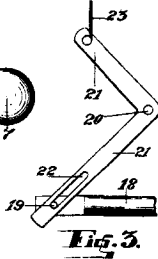
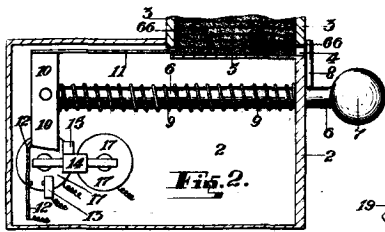
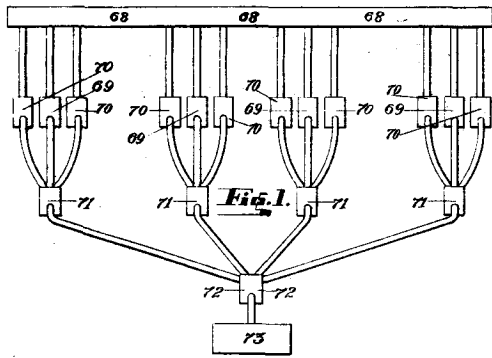
24407
Aston. Fuel-economiser.



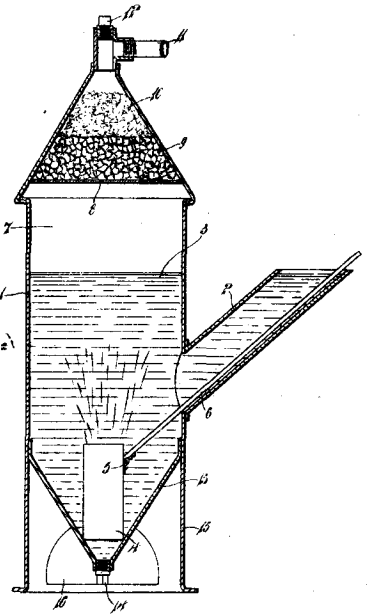
25100
Oxychlorides (1907) Limited. Sewage-treatment.
(Thomson.)



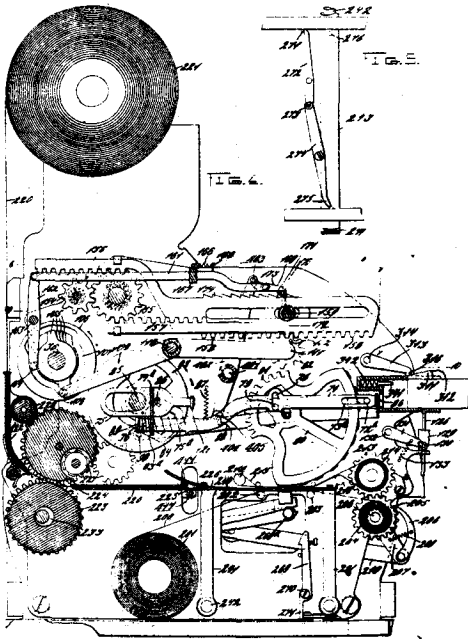
25145
Monotype Machine (Colonial Patents) Syndicate (Limited).
Record-strip Machine. (Bancroft and Indahl.)



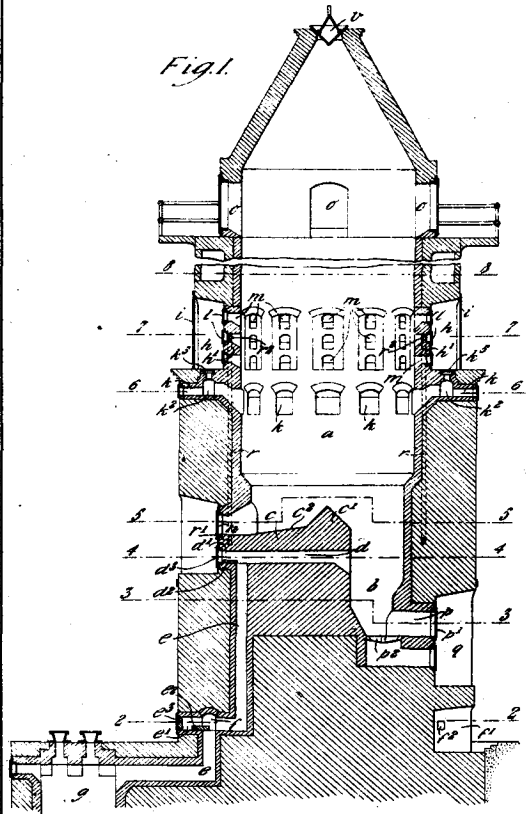
25090
Stott and Brownlee. Totalisator.



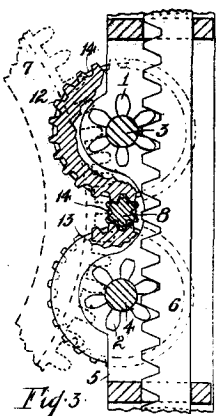
25136
Lewis. Acetylene Generator.



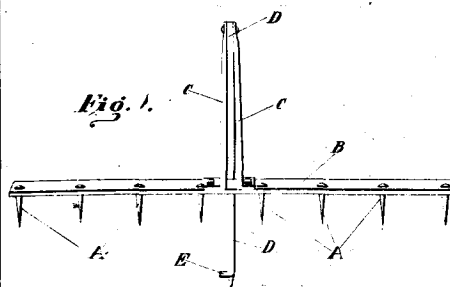
25117
National Cash Register Company. Cash-register. (Church.)



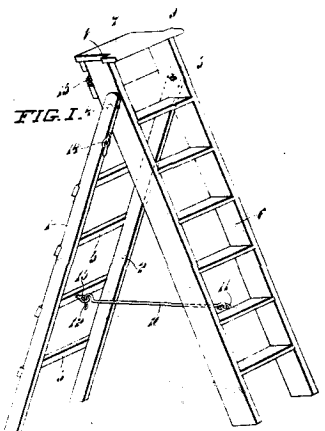
25122
Oakden. Kiln. (Schmatolla.)



25062
B. and W. Trowhella. Gear Train.



25144
Murray. Bale-grip. (Rogerson.)



25069
Parsons. Step-ladder.